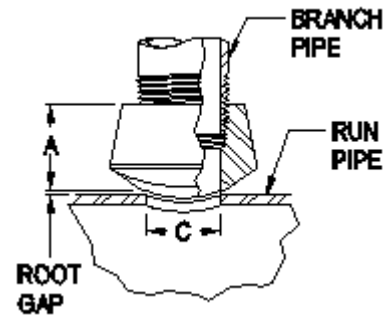




Threaded Outlets  
**Forged Steel**  
Inches / Pounds



Outlet Size (NPS)	Dimensions					
	Class 3000			Class 6000		
	A	C	Weight (lbs)	A	C	Weight (lbs)
1/8	3/4	0.328	0.07	1-1/8	0.157	0.15
1/4	3/4	0.438	0.12	1-1/8	0.250	0.30
3/8	13/16	0.563	0.16	1-1/8	0.359	0.30
1/2	1	0.703	0.21	1-1/4	0.464	0.42
3/4	1-1/16	0.906	0.36	1-7/16	0.612	0.71
1	1-5/16	1.141	0.59	1-9/16	0.815	1.25
1 1/4	1-5/16	1.469	0.84	1-5/8	1.160	1.53
1 1/2	1-3/8	1.688	1.00	1-11/16	1.338	1.91
2	1-1/2	2.188	1.72	2-1/16	1.687	4.83
2 1/2	1-13/16	2.563	2.90	2-11/16	2.125	6.19
3	2	3.188	4.24	2-11/16	2.624	7.36
3 1/2	2-1/8	3.688	4.40	-	-	-
4	2-1/4	4.188	6.91	3-5/16	3.438	14.02
5	2-5/8	5.275	9.46	3-11/16	4.313	20.03
6	2-11/16	6.313	14.03	4-1/8	5.187	29.36

*\* Dimensions conform to ASME B31.1 and MSS-SP-97.*