



2-PC. SCREWED END LEAD FREE BRASS BALL VALVE

SM615LF

FEATURES



- MSS SP-110 Design
- 600 lb. CWP, 150 lb. WSP
- Full Port (1/4" thru 3")
- NSF-61 (1/4" thru 2") | NSF-372 (2 1/2" thru 4")
- CSA Approved
- Threaded Ends ANSI B1.20.1
- ISO 9001:2008 Manufacturer
- Forged UNS C46500 Brass Body and Bonnet
- Blow-out Proof Stem
- Locking Handle

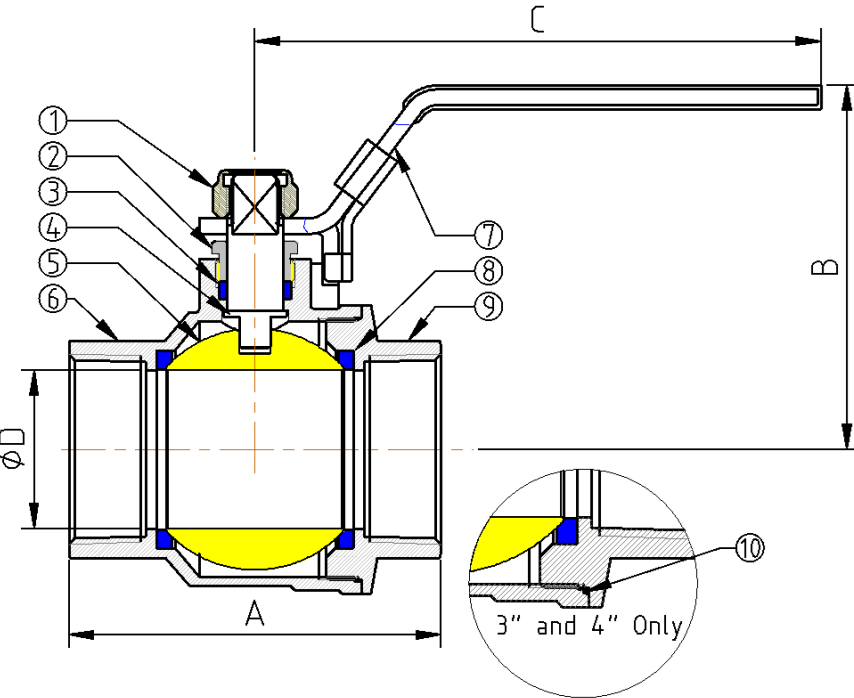


Materials of Construction

Item	Part	Material Spec
1	Handle nut	304 SS
2	Lock nut	Brass
3	Stem Packing	Teflon (PTFE)
4	Stem	UNS C46500   304SS (4" only)
5	Ball	304 SS
6	Bonnet	UNS C46500
7	Handle	Zinc Plated Steel with PVC Sleeve
8	Seats	Teflon (PTFE)
9	Body	UNS C46500
10	O-ring	NBR (3" & 4" only)

Dimensions (Inches)

Size	A	B	C	D	Weight (lb)
1/4"	1.73	1.93	3.54	0.39	0.30
3/8"	1.73	1.93	3.54	0.39	0.30
1/2"	2.26	2.05	3.54	0.57	0.50
3/4"	2.56	2.20	3.98	0.75	0.70
1"	2.97	2.44	4.61	0.96	1.00
1-1/4"	3.41	2.80	4.61	1.26	1.70
1-1/2"	3.70	3.62	5.63	1.57	2.30
2"	4.25	3.94	5.63	1.97	3.50
2-1/2"	5.33	4.45	9.17	2.52	7.20
3"	6.36	4.92	9.17	3.11	8.80
4"	7.20	5.51	9.17	3.82	16.50



The information presented on this sheet is correct at the time of publication. Service Metal reserves the right to change design, and/or material specifications without notice.



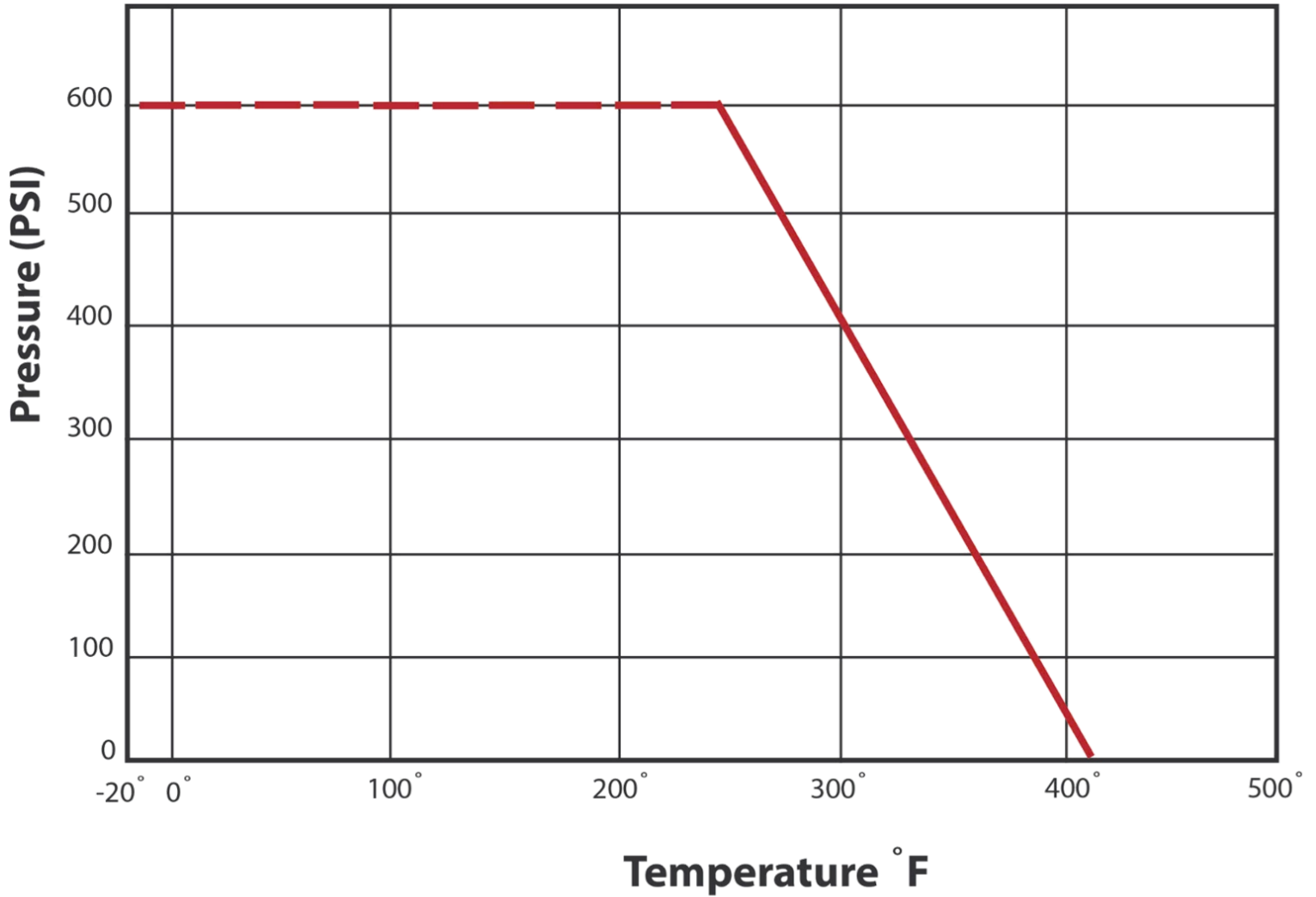
ST. LOUIS • CHARLOTTE • HOUSTON • SALT LAKE CITY

800-325-7820  
servicemetal.net



2-PC. SCREWED END LEAD FREE BRASS BALL VALVE

SM615LF



ST. LOUIS · CHARLOTTE · HOUSTON · SALT LAKE CITY

800-325-7820  
servicemetal.net