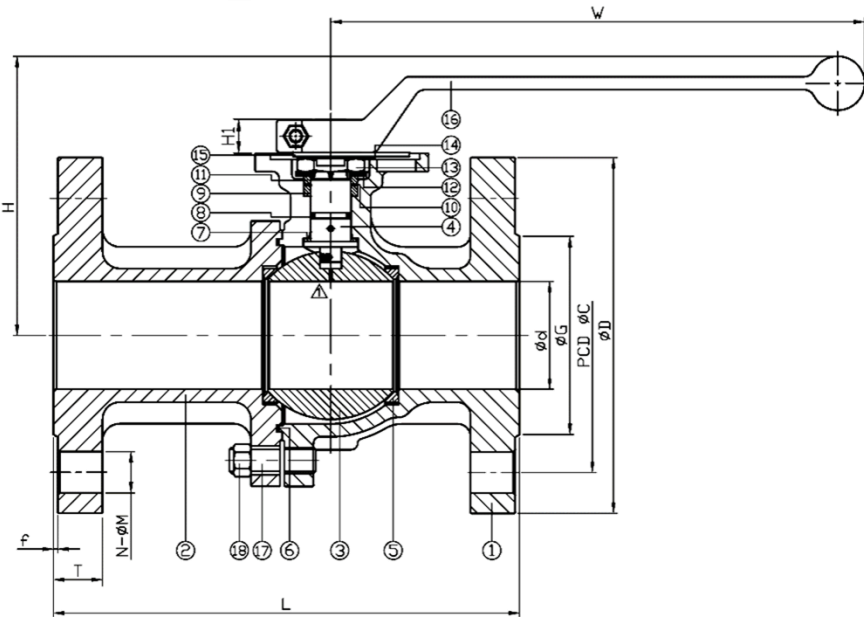
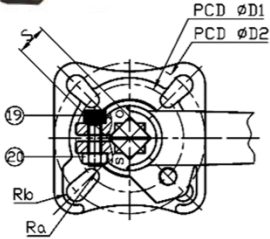




2-PC. FLANGED END BALL VALVE

SM2530CFF



FEATURES

- Full Port 1/2" through 6"
- Working Pressure Class 300
- Working Temperature -4° F through 392°F
- Blow-out Proof Stem • Live-loading Design
- Anti-Static Device • Locking Device

SPECIFICATIONS

- ISO 5211 Direct Mounting Pad
- API 607 Fire Safe Approved up to 6"

Materials of Construction

Item	Part	Material Spec	
1	BODY	ASTM A216-WCB	ASTM A351-CF8M
2	CAP		
3	BALL	ASTM A351-CF8M	
4	STEM	ASTM A276-316	
5	SEAT	RTFE	
6	SEAL	GRAPHITE	
7	THRUST WASHER	CTFE	
8	O-RING	VITON	
9	PACKING A	GRAPHITE	
10	PACKING B	CTFE	
11	GLAND RING	AISI 304	
12	BELLEVILLE WASHER	AISI 301	
13	STEM NUT	AISI 304	
14	LOCK WASHER		
15	STOPPER		
16	HANDLE		
17	STUD		
18	NUT		
19	BOLT		
20	HANDLE NUT		

Dimensions (Inches)

NPS	d	G	C	D	L	H	H1	W	T	f	S	D1	D2	Ra	Rb	N	M	Torque (in-lb)		Weight (lb)
																		Break-away	Action	
1/2"	0.59	1.38	2.63	3.74	5.51	3.33	0.35	7.78	0.58	0.08	0.35	1.42	1.65	0.11	0.11	4	0.63	46.0	26.6	5.3
3/4"	0.79	1.69	3.25	4.53	5.98	3.72	0.35	7.78	0.64	0.08	0.35	1.42	1.65	0.11	0.11	4	0.75	70.8	41.6	7.5
1"	0.94	2.01	3.50	4.92	6.50	3.93	0.39	7.78	0.70	0.08	0.43	1.65	1.97	0.11	0.14	4	0.75	110.6	79.7	10.1
1-1/4"	1.18	2.50	3.87	5.31	7.01	4.15	0.39	7.78	0.77	0.08	0.43	1.65	1.97	0.11	0.14	4	0.75	123.9	97.4	13
1-1/2"	1.50	2.87	4.50	6.10	7.48	4.92	0.59	9.74	0.83	0.08	0.55	1.97	2.76	0.14	0.18	4	0.88	216.8	159.3	19.4
2"	1.97	3.62	5.00	6.50	8.50	5.09	0.59	9.74	0.89	0.08	0.55	1.97	2.76	0.14	0.18	8	0.75	283.2	203.6	24.3
2-1/2"	2.52	4.13	5.87	7.48	9.49	6.11	0.67	13.39	1.02	0.08	0.67	2.76	4.02	0.18	0.22	8	0.88	336.3	239	40.8
3"	2.95	5.00	6.63	8.27	11.10	6.39	0.67	13.39	1.14	0.08	0.67	2.76	4.02	0.18	0.22	8	0.88	398.3	265.5	55.8
4"	3.94	6.19	7.87	10.04	12.01	7.46	0.87	13.39	1.27	0.08	0.87	4.02	4.92	0.22	0.26	8	0.88	1150.6	690.4	92.6

The information presented on this sheet is correct at the time of publication. Service Metal reserves the right to change design, and/or material specifications without notice.



PRESSURE-TEMPERATURE RATING

