



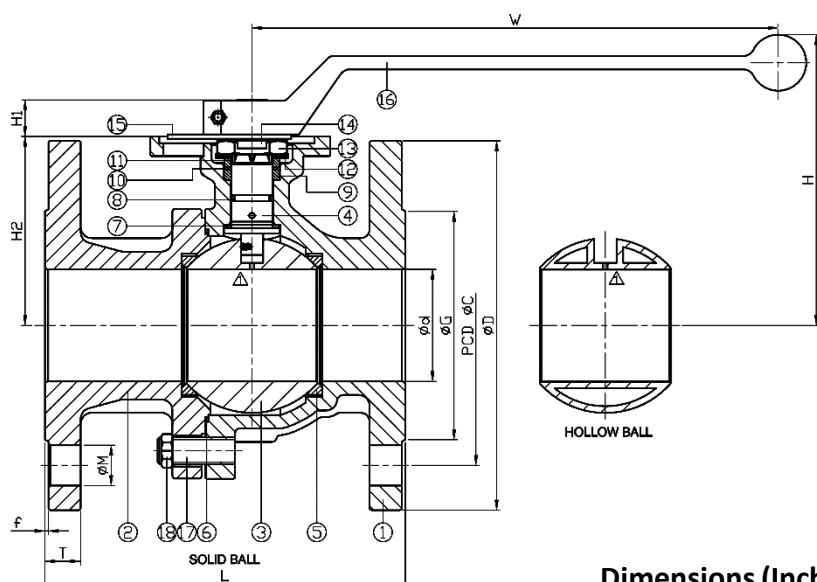
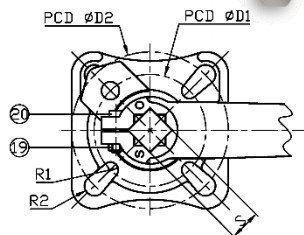
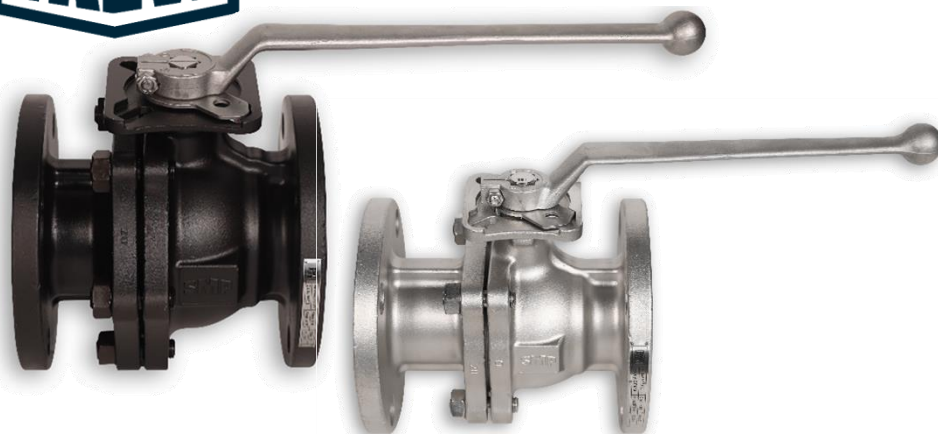
SM2515CFF/SM3515SFF

FEATURES

- Full Port 1/2" through 10"
- Working Pressure Class 150
- Working Temperature -4° F through 392°F
- Blow-out Proof Stem
- Live-loading Design
- SM2515CFF: A216-WCB
- Locking Device
- Anti-Static Device
- SM3515SFF: A351-CF8M

SPECIFICATIONS

- ISO 5211 Direct Mounting Pad
- API 607 Fire Safe tested
- Fire Safe Design



Materials of Construction

Item	Part	Material Spec	
		ASTM A216-WCB	ASTM A351-CF8M
1	BODY	ASTM A216-WCB	ASTM A351-CF8M
2	CAP		
3	BALL	1/2"-4" (Solid) ASTM A351-CF8M	
4	STEM	ASTM A276-316	
5	SEAT	RTFE	
6	SEAL	GRAPHITE	
7	THRUST WASHER	CTFE	
8	O-RING	VITON	
9	PACKING A	GRAPHITE	
10	PACKING B	CTFE	
11	GLAND RING	AISI 304	
12	BELLEVILLE WASHER	AISI 301	
13	NUT	AISI 304	
14	LOCK WASHER		
15	STOPPER		
16	HANDLE		
17	STUD		
18	NUT		
19	NUT		
20	BOLT		

Dimensions (Inches)

NPS	d	G	C	D	L	H	H1	H2	W	T	f	S	D1	D2	R1	R2	M	Torque (in-lb)		Weight (lb)
																		Breakaway	Action	
1/2"	0.59	1.38	2.38	3.5	4.25	3.35	0.33	1.99	7.48	0.44	0.06	0.35	1.42	1.65	0.11	0.11	0.63	46	26.6	3.7
3/4"	0.79	1.69	2.76	3.86	4.61	3.52	0.33	2.13	7.48	0.46	0.06	0.35	1.42	1.65	0.11	0.11	0.63	70.8	41.6	4.6
1"	0.94	2.01	3.13	4.25	5.02	3.71	0.41	2.32	7.48	0.46	0.06	0.43	1.65	1.97	0.11	0.14	0.63	110.6	79.7	7.1
1-1/4"	1.18	2.52	3.5	4.61	5.53	3.85	0.41	2.44	7.48	0.5	0.06	0.43	1.65	1.97	0.11	0.14	0.63	123.9	97.4	8.2
1-1/2"	1.5	2.87	3.88	5	6.5	4.76	0.55	3.01	9.25	0.56	0.06	0.55	1.97	2.76	0.14	0.18	0.63	216.8	159.3	13.2
2"	1.97	3.62	4.74	5.98	7.01	5.11	0.55	3.33	9.25	0.63	0.06	0.55	1.97	2.76	0.14	0.18	0.75	283.2	203.6	17.6
2-1/2"	2.52	4.13	5.49	7.01	7.5	6.15	0.67	4.13	12.8	0.69	0.06	0.67	2.76	4.02	0.18	0.22	0.75	336.3	239	32
3"	2.99	5	6	7.5	7.99	6.43	0.67	4.35	12.8	0.75	0.06	0.67	2.76	4.02	0.18	0.22	0.75	398.3	265.5	40.2
4"	3.94	6.19	7.5	9.02	9.02	7.71	0.91	5.59	12.8	0.96	0.08	0.87	4.02	4.92	0.22	0.26	0.75	1150.6	690.4	64.6

The information presented on this sheet is correct at the time of publication. Service Metal reserves the right to change design, and/or material specifications without notice.



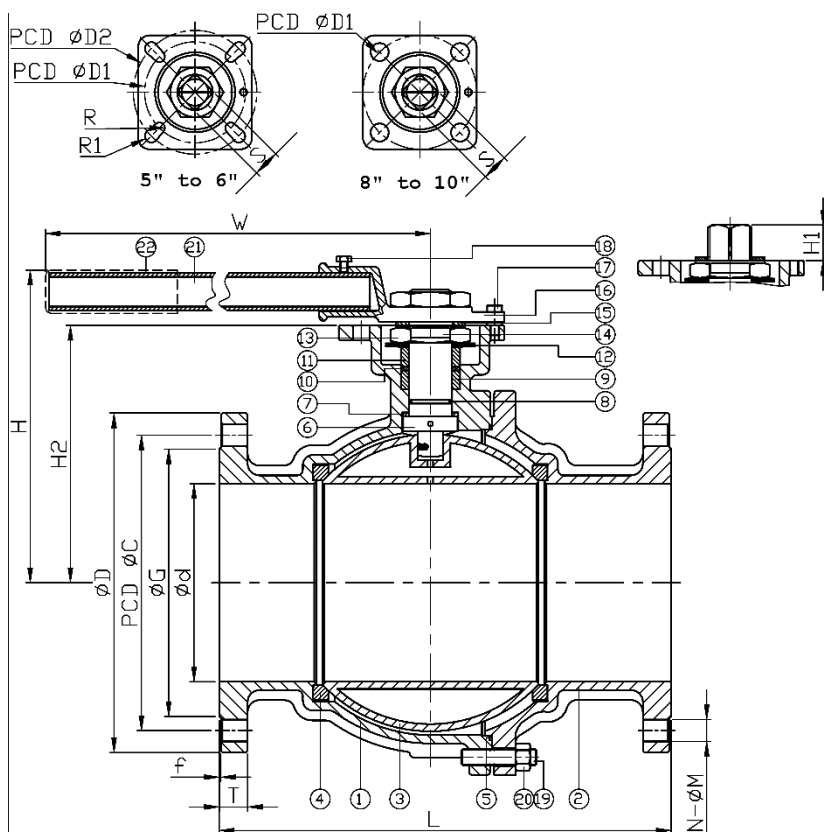
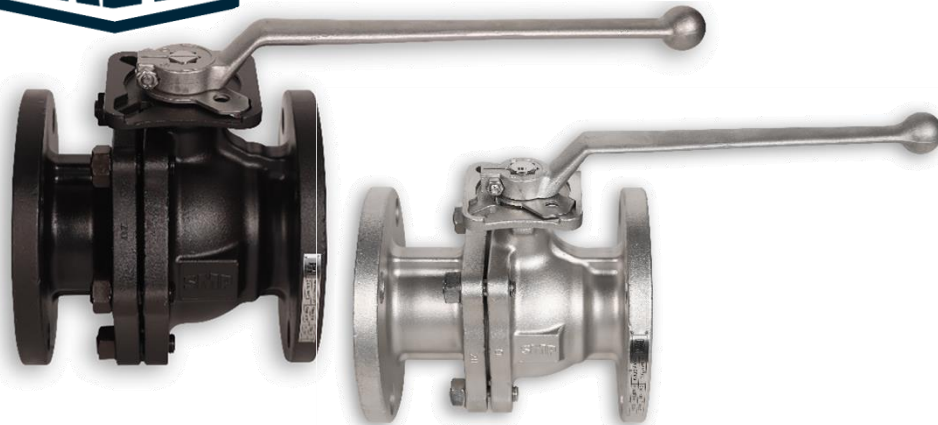
SM2515CFF/SM3515SFF

FEATURES

- Full Port 1/2" through 10"
- Working Pressure Class 150
- Working Temperature -4° F through 392°F
- Blow-out Proof Stem
- Live-loading Design
- SM2515CFF: A216-WCB
- Locking Device
- Anti-Static Device
- SM3515SFF: A351-CF8M

SPECIFICATIONS

- ISO 5211 Direct Mounting Pad
- API 607 Fire Safe Tested
- Fire Safe Design



Item	Part	Material Spec	
1	BODY	ASTM A216-WCB	ASTM A351-CF8M
2	CAP		
3	BALL	ASTM A240-316 (Hollow)	
4	SEAT	RTFE	
5	SEAL	316-GRAPHITE	
6	STEM	ASTM A276-316	
7	THRUST WASHER	CTFE	
8	O-RING	VITON	
9	PACKING A	GRAPHITE	
10	PACKING B	CTFE	
11	GLAND RING	AISI 304	
12	BELLEVILLE WASHER	AISI 301	
13	STEM NUT	AISI 304	
14	LOCK WASHER		
15	FLAT WASHER		
16	HANDLE HEAD		
17	STOP PIN		
18	BOLT		
19	STUD		
20	NUT	AISI 304	
21	STEEL TUBE		
22	HANDLE SLEEVE		

Dimensions (Inches)

NPS	d	G	C	D	L	H	H1	H2	W	T	f	S	D1	D2	R	R1	N	M	Torque (in-lb)		Weight (lb)
																			Break-away	Action	
5"	4.92	7.32	8.5	10	14.02	9.13	1.1	7.09	29.82	0.94	0.06	1.06	4.02	4.92	0.22	0.26	8	0.87	1,416	849	88.8
6"	5.91	8.5	9.51	10.98	15.51	9.96	1.08	7.91	29.82	1	0.06	1.06	4.02	4.92	0.22	0.26	8	0.88	2,212	1504	114
8"	7.87	10.63	11.75	13.5	17.99	12.62	1.42	10.2	33.98	1.13	0.06	1.42	5.51	-	0.33	-	8	0.88	4,159	2478	194
10"	9.84	12.76	14.25	15.98	20.98	13.98	1.42	11.61	41.77	1.19	0.06	1.42	5.51	-	0.33	-	12	1	6,638	4708	315

The information presented on this sheet is correct at the time of publication. Service Metal reserves the right to change design, and/or material specifications without notice.

PRESSURE-TEMPERATURE RATING

