



## 3-PC. SOCKET WELD END BALL VALVE

# SM2300CS/SM3300SS

### FEATURES

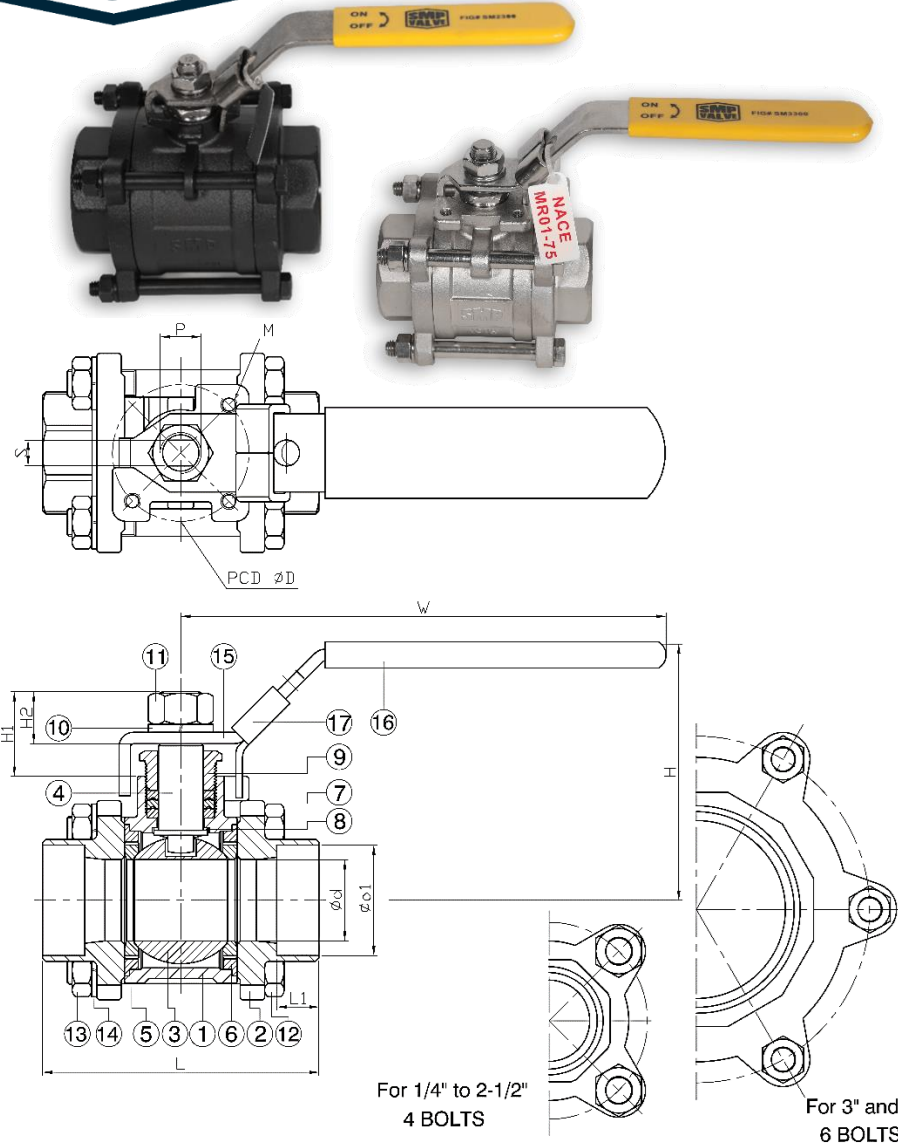
- Full Port 1/4" through 4"
- Working Pressure 1000 WOG
- Working Temperature -4° F through 392°F
- Blow-out Proof Stem
- Locking Device
- SM2300CS: A216-WCB • SM3300SS: A351-CF8M

### SPECIFICATIONS

- Socket Weld Ends Conform to ASME/ANSI B16.11
- API-598
- NACE MR-0175 STANDARD

### Materials of Construction

Item	Part	Material Spec	
1	BODY	ASTM A216-WCB	ASTM A351-CF8M
2	CAP		
3	BALL	ASTM A351-CF8M	
4	STEM	ASTM A276-316	
5	SEAT	RTFE	
6	GASKET	PTFE	
7	PACKING	PTFE	
8	THRUST WASHER	PTFE	
9	GLANDNUT	AISI 304	
10	SPRING WASHER		
11	STEMNUT		
12	BOLT		
13	NUT		
14	SPRING WASHER	Stainless Steel	
15	HANDLE		
16	HANDLE SLEEVE	PVC	
17	LATCH LOCK	Stainless Steel	



### Dimensions (Inches)

NPS	d	d1	L	L1	H	H1	H2	W	S	D	M	P	ISO	Torque (in-lb)	Weight (lb)
1/4"	0.46	0.57	2.56	0.39	2.26	0.76	0.53	4.07	0.2	1.42	M5	3/8"-24UNF	F03	66.4	0.8
3/8"	0.49	0.71	2.56	0.39	2.26	0.76	0.53	4.07	0.2	1.42	M5	3/8"-24UNF	F03	66.4	0.8
1/2"	0.59	0.87	2.56	0.39	2.42	0.76	0.53	4.07	0.2	1.42	M5	3/8"-24UNF	F03	66.4	1.2
3/4"	0.79	1.08	2.95	0.51	2.54	0.92	0.63	4.76	0.26	1.42	M5	7/16"-20UNF	F03	66.4	1.6
1"	0.98	1.34	3.35	0.51	3.15	1.01	0.64	5.79	0.31	1.65	M5	7/16"-20UNF	F04	110.6	2.3
1-1/4"	1.26	1.69	3.98	0.51	3.35	1.01	0.64	5.79	0.31	1.65	M5	7/16"-20UNF	F04	132.8	3.6
1-1/2"	1.5	1.93	4.41	0.51	4.08	1.17	0.79	7.4	0.39	1.97	M6	1/2"-20UNF	F05	177	5.3
2"	1.97	2.42	5.12	0.63	4.36	1.17	0.79	7.4	0.39	1.97	M6	1/2"-20UNF	F05	221.3	7.9
2-1/2"	2.48	2.91	6.38	0.63	5.4	1.55	1.08	9.84	0.47	2.76	M8	3/4"-10UNC	F07	566.4	14.8
3"	2.99	3.54	7.4	0.63	5.74	1.55	1.08	9.84	0.47	2.76	M8	3/4"-10UNC	F07	752.3	21.6
4"	3.78	4.55	8.82	0.79	7.15	2.11	1.57	12.52	0.63	4.02	M10	1"-8UNC	F10	840.8	42.3

The information presented on this sheet is correct at the time of publication. Service Metal reserves the right to change design, and/or material specifications without notice.

# PRESSURE-TEMPERATURE RATING

