



# 125# CI OS&Y FLANGED GATE VALVE

# SM125GVO



## FEATURES

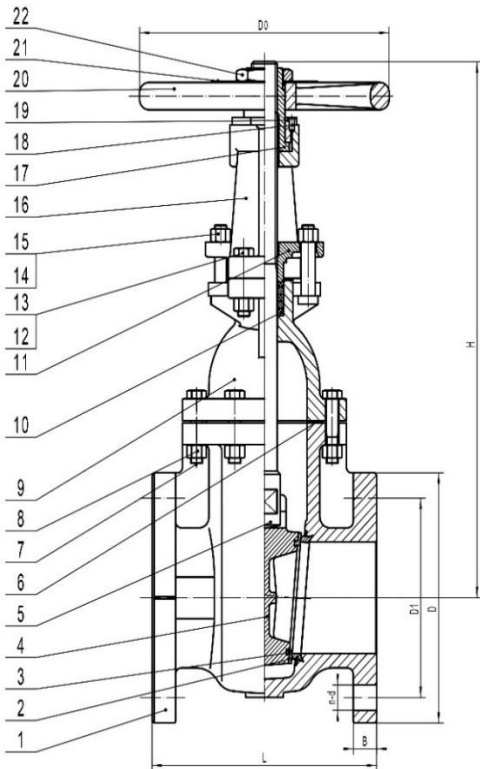
- Class 125
- Flanged Ends
- 200 WOG/125 SWP
- OS&Y
- Bolted Bonnet
- Rising Stem
- Solid Wedge
- IBBM

## APPLICABLE STANDARDS

- Face to Face Dimension Conforms to ANSI B16.10
- Flanged Ends Conforms to ANSI B16.1
- Conforms to MSS SP-70
- Tested According to API 598
- Conforms to ISO 9001:2008

## Materials of Construction

Item	Part	Material	ASTM
1	Body	Cast Iron	A126-B
2	Body Seat Ring	Cast Bronze	B62
3	Wedge Seat Ring	Cast Bronze	B62
4	Wedge	Cast Iron	A126-B
5	Stem	Brass	B16
6	Bonnet Gasket	Graphite	Non-Asbestos
7	Bonnet Bolt	Steel	A307-B
8	Bonnet Nut	Steel	A536-B
9	Bonnet	Cast Iron	A126-B
10	Packing	Graphite	Non-Asbestos
11	Gland Follower	Ductile Iron	A536 65-45-12
12	Gland Bolt	Steel	A307-B
13	Gland Nut	Steel	A563-B
14	Bolt	Steel	A307-B
15	Nut	Steel	A563-B
16	Yoke	Cast Iron	A126-B
17	Stem Nut	Cast Brass	Mn-Brass
18	Screw	Steel	A307-B
19	Yoke Bushing Nut	Cast Iron	A126-B
20	Handwheel	Cast Iron	A126-B
21	Identification Plate	Aluminum	A2040
22	Handwheel Nut	Steel	A563-B



## Dimensions (Inches)

Size	L	D	D1	B	n-d	D0	H (Open)	Weight (lbs)
14"	15.00	21.00	18.75	1.37	12-1.13	22.05	49.57	815.71
16"	16.00	23.50	21.25	1.44	16-1.13	22.05	54.92	1,043.89
18"	17.01	25.00	22.76	1.56	16-1.26	24.02	61.42	1,483.71
20"	17.99	27.52	25.00	1.69	20-1.26	24.02	67.24	1,893.77
24"	20.00	32.01	29.51	1.87	20-1.38	30.12	78.35	2,700.66

The information presented on this sheet is correct at the time of publication. Service Metal reserves the right to change design, and/or material specifications without notice.