

Class 300 • Non-Rising Stem • Threaded Ends

Figure 636E

Size Range:

1/4" through 2"

Working Pressures Non-Shock:

300 psi Steam, Basic Rating

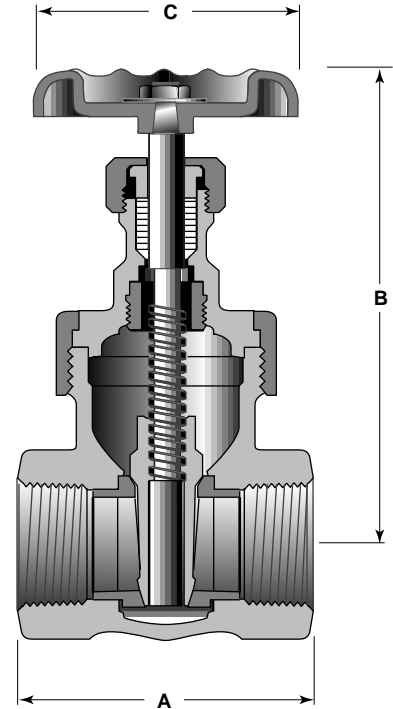
1000 psi Cold Working Pressure

1/4" to 2" - (6mm - 50mm)

Features

- Non-Rising Stem
- Union Bonnet
- Solid Wedge Disc
- Threaded Ends
- Full Ports
- Back Seat
- 410 Stainless Steel Seat Rings
- MSS-SP-80, Type I

For more detailed features, refer to page 18.



Principal Parts & Materials

Part	Material	ASTM
Body & bonnet	Bronze	B61 alloy C92200
Disc	Bronze	B61 alloy C92200
Seat ring	410 Stainless Steel	A276 S41000
Stem	Bronze	B371 alloy C69400

Dimensions and Weights

Inches (millimeters) - pounds (kilograms)

	1/4 (6)	3/8 (10)	1/2 (15)	3/4 (20)	1 (25)	1 1/4 (32)	1 1/2 (40)	2 (50)
A	2.03 (52)	2.13 (54)	2.47 (63)	2.60 (66)	3.05 (77)	3.38 (86)	3.68 (93)	3.96 (101)
B	3.60 (91)	3.51 (89)	3.86 (98)	4.51 (115)	5.05 (128)	5.88 (149)	6.65 (169)	7.76 (197)
C	2.05 (52)	2.13 (54)	2.47 (63)	2.63 (67)	2.96 (75)	3.25 (83)	3.68 (93)	4.59 (117)
WTS.	0.90 (0.41)	0.90 (0.41)	1.40 (0.64)	1.90 (0.86)	3.20 (1.45)	4.80 (2.18)	5.90 (2.68)	10.20 (4.63)