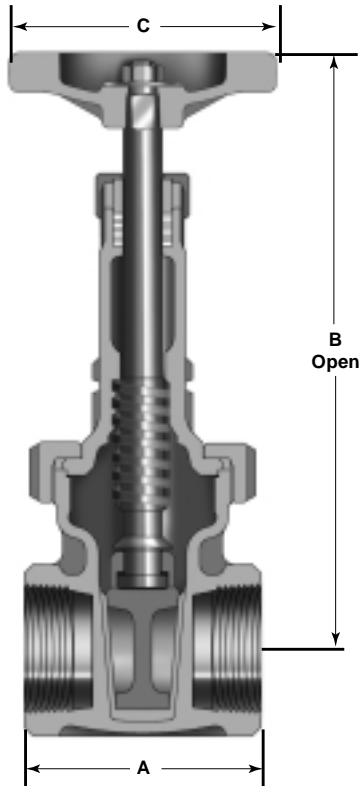




**Class 125 • Rising Stem • Union Bonnet • Threaded Ends**



### Features

- Rising Stem
- Union Bonnet
- Solid Wedge Disc
- Back Seat
- Full Ports
- Integral Bronze Seat
- MSS--SP-80, Type 2

For more detailed features, refer to page 18.

### Figure 428UB

#### Size Range:

1/4" through 3"

#### Working Pressures Non-Shock:

125 psi Steam, Basic Rating

200 psi Cold Working Pressure

### Principal Parts & Materials

Part	Size	Material	ASTM
Body & bonnet	All	Bronze	B62 alloy C83600
Disc	All	Bronze	B62 alloy C83600
Stem	1/4"-2"	Bronze	B62 alloy C83600
Stem	2 1/2"-3"	Cu-Si Bronze	B371 alloy C69400

### Dimensions and Weights

Inches (millimeters) - pounds (kilograms)

	1/4 (6)	3/8 (10)	1/2 (15)	3/4 (20)	1 (25)	1 1/4 (32)	1 1/2 (40)	2 (50)	2 1/2 (65)	3 (80)
A	1.81 (46)	1.81 (46)	1.98 (51)	2.14 (55)	2.46 (63)	2.77 (71)	2.85 (73)	3.25 (83)	4.25 (108)	4.59 (117)
B	4.96 (126)	4.96 (126)	5.07 (129)	6.25 (159)	7.44 (189)	8.62 (219)	9.68 (246)	11.85 (301)	14.53 (369)	16.39 (416)
C	2.25 (57)	2.25 (57)	2.75 (70)	2.75 (70)	2.75 (70)	3.25 (83)	4.00 (102)	4.00 (102)	4.75 (121)	5.50 (140)
WTS.	0.90 (0.41)	0.90 (0.41)	1.50 (0.67)	2.30 (1.03)	3.40 (1.54)	5.10 (2.31)	7.20 (3.28)	11.90 (5.40)	13.10 (5.94)	20.10 (9.12)