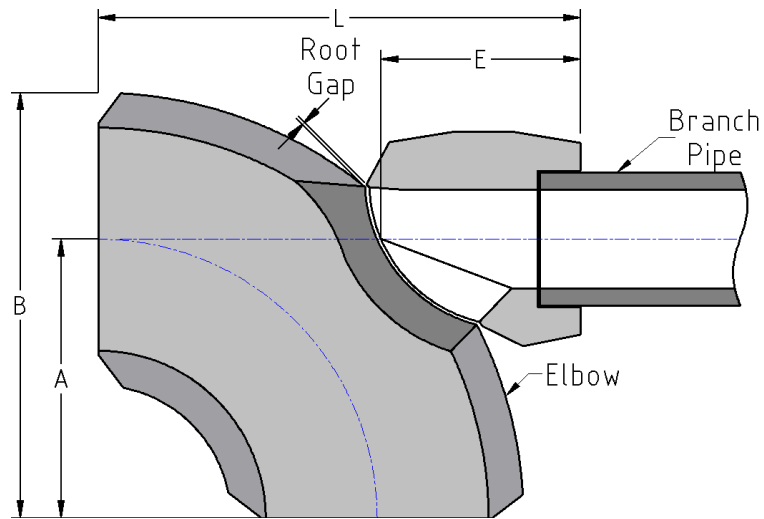


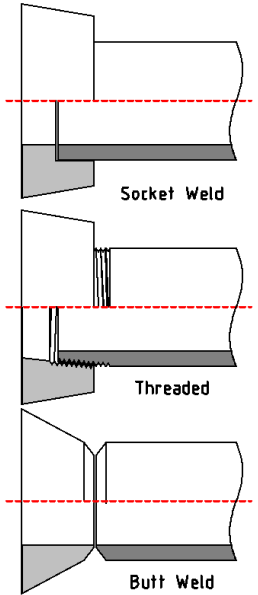


Elbow Outlets
Forged Steel
Inches / Pounds



$$L = E + \sqrt{B^2 - A^2} + \text{Root Gap}$$

Outlet End Options



Outlet Size (NPS)	Dimensions		
	E		Weight (lbs)
	Standard	Extra Heavy	
1/4	1-5/8	1-5/8	0.49
3/8	1-5/8	1-5/8	0.50
1/2	1-5/8	1-5/8	0.52
3/4	1-7/8	1-7/8	1.00
1	2-1/4	2-1/4	1.26
1 1/4	2-1/2	2-1/2	1.39
1 1/2	2-11/16	2-11/16	1.53
2	3-1/8	3-1/8	2.76
2 1/2	3-7/16	3-7/16	4.70
3	3-7/8	3-7/8	6.54
4	4-3/4	4-3/4	12.31
6	6-1/4	7-1/16	24.25
8	7-3/4	8-7/8	60.00
10	9-3/16	9-15/16	90.50
12	10-1/2	11-7/16	121.00

* Dimensions conform to ASME B31.1 and MSS-SP-97.