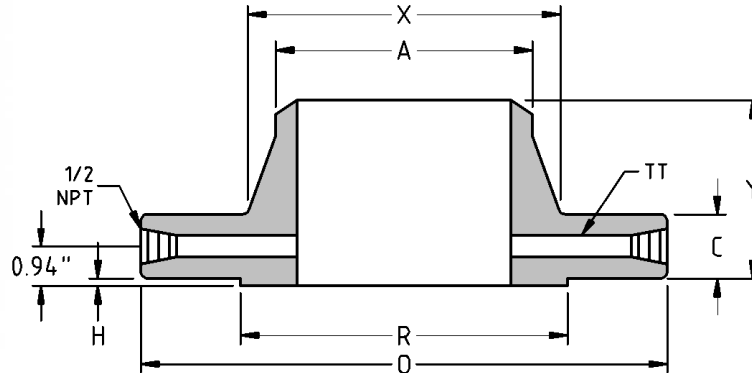




Orifice Weld Neck Flange

CLASS 600

Inches / Pounds



Nominal Pipe Size	Outside Diam. of Flange (O)	Thick. of Flange (C)	Raised Face Height (H)	Diam. of Raised Face (R)	Diam. of Hub at Base (X)	Diam. of Hub at Point of Welding (A)	Length thru Hub (Y)	Diameter of pressure Connection (TT)	No. of Holes	Diam. of Holes (DH)	Diam. of Bolts	Diam. of Bolt Circle (BC)
1	4.88	1.44	0.06	2.00	2.12	1.32	2.44	1/4	4	0.75	0.62	3.50
1 1/2	6.12	1.44	0.06	2.88	2.75	1.90	2.75	1/4	4	0.88	0.75	4.50
2	6.50	1.44	0.06	3.62	3.31	2.38	2.88	1/4	8	0.75	0.62	5.00
2 1/2	7.50	1.44	0.06	4.12	3.94	2.88	3.12	1/4	8	0.88	0.75	5.88
3	8.25	1.44	0.06	5.00	4.62	3.50	3.25	3/8	8	0.88	0.75	6.62
4	10.75	1.50	0.25	6.19	6.00	4.50	4.00	1/2	8	1.00	0.88	8.50
6	14.00	1.88	0.25	8.50	8.75	6.63	4.62	1/2	12	1.12	1.00	11.50
8	16.50	2.19	0.25	10.62	10.75	8.63	5.25	1/2	12	1.25	1.12	13.75
10	20.00	2.50	0.25	12.75	13.50	10.75	6.00	1/2	16	1.38	1.25	17.00
12	22.00	2.62	0.25	15.00	15.75	12.75	6.12	1/2	20	1.38	1.25	19.25
14	23.75	2.75	0.25	16.25	17.00	14.00	6.50	1/2	20	1.50	1.38	20.75
16	27.00	3.00	0.25	18.50	19.50	16.00	7.00	1/2	20	1.62	1.50	23.75
18	29.25	3.25	0.25	21.00	21.50	18.00	7.25	1/2	20	1.75	1.62	25.75
20	32.00	3.50	0.25	23.00	24.00	20.00	7.50	1/2	24	1.75	1.62	28.50
24	37.00	4.00	0.25	27.25	28.25	24.00	8.00	1/2	24	2.00	1.88	33.00

* Dimensions conform to ASTM A/SA-105N; ASME B16.36

* Bore to be determined at time of order.