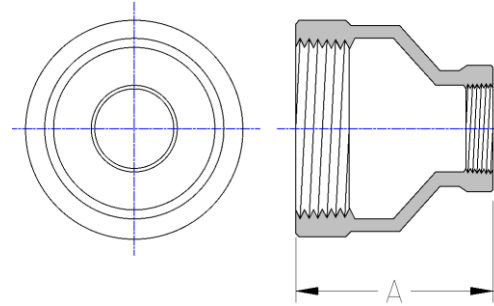




Reducing Coupling
300# Malleable Iron
Inches / Pounds



Size	A	Approximate Weight (in Pounds)
3/8 x 1/4	1.44	0.21
1/2 x 1/4	1.69	0.31
1/2 x 3/8	1.69	0.34
3/4 x 3/8	1.75	0.47
3/4 x 1/2	1.75	0.50
1 x 1/2	2.00	0.71
1 x 3/4	2.00	0.79
1 1/4 x 1/2	2.38	1.12
1 1/4 x 3/4	2.38	1.16
1 1/4 x 1	2.38	1.29
1 1/2 x 1/2	2.69	1.51
1 1/2 x 3/4	2.69	1.57
1 1/2 x 1	2.69	1.62
1 1/2 x 1 1/4	2.69	1.81
2 x 1/2	3.19	2.39
2 x 3/4	3.19	2.44
2 x 1	3.19	2.53
2 x 1 1/4	3.19	2.66
2 x 1 1/2	3.19	2.72
2 1/2 x 1 1/2	3.69	4.09
2 1/2 x 2	3.69	4.32
3 x 2	4.06	5.75
3 x 2 1/2	4.06	6.45
4 x 3	4.38	10.00

- *Malleable Castings conform to ASTM A197**
- *Hot-Dipped Galvanized Fittings conform to ASTM A153**
- *Malleable Fitting Dimensions conform to ASME B16.3**
- *Malleable Bushings, Plugs and Locknuts conform to ASME B16.14**
- *Malleable Unions conform to ASME B16.39**
- *NPT Threads on all fittings conform to ASME B1.20.1**