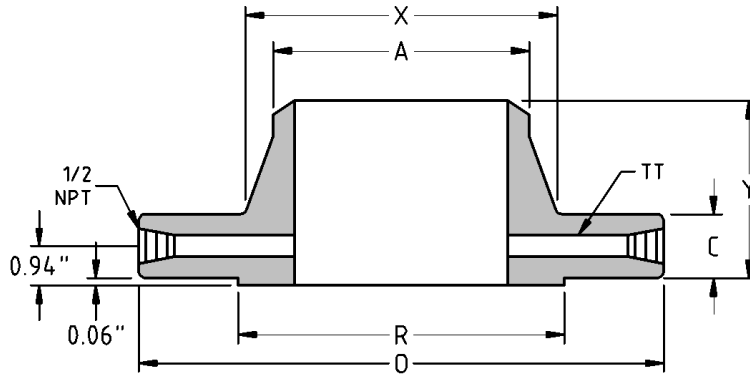




## Orifice Weld Neck Flange

### CLASS 300

Inches / Pounds



Nominal Pipe Size	Outside Diam. of Flange (O)	Thick. of Flange (C)	Diam. of Raised Face (R)	Diam. of Hub at Base (X)	Diam. of Hub at Point of Welding (A)	Length thru Hub (Y)	Diameter of pressure Connection (TT)	No. of Holes	Diam. of Holes (DH)	Diam. of Bolts	Diam. of Bolt Circle (BC)
1	<b>Use Class 600 Orifice Flange Dimensions.</b>										
1 ½											
2											
2 ½											
3											
4	10.00	1.44	6.19	5.75	4.50	3.38	½	8	0.88	0.75	7.88
6	12.50	1.44	8.50	8.12	6.63	3.88	½	12	0.88	0.75	10.62
8	15.00	1.56	10.62	10.25	8.63	4.38	½	12	1.00	0.88	13.00
10	17.50	1.82	12.75	12.62	10.75	4.62	½	16	1.12	1.00	15.25
12	20.50	1.94	15.00	14.75	12.75	5.12	½	16	1.25	1.12	17.75
14	23.00	2.06	16.25	16.75	14.00	5.62	½	20	1.25	1.12	20.25
16	25.50	2.19	18.50	19.00	16.00	5.75	½	20	1.38	1.25	22.50
18	28.00	2.32	21.00	21.00	18.00	6.25	½	24	1.38	1.25	24.75
20	30.50	2.44	23.00	23.12	20.00	6.38	½	24	1.38	1.25	27.00
24	36.00	2.69	27.25	27.62	24.00	6.62	½	24	1.62	1.50	32.00

*\* Dimensions conform to ASTM A/SA-105; ASME B16.36*

*\* Bore to be determined at time of order.*