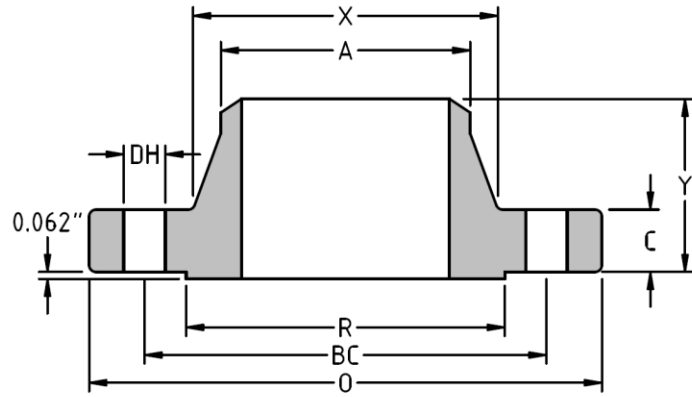




Weld Neck Flange
CLASS 150
Inches / Pounds



Nominal Pipe Size	Outside Diam. of Flange (O)	Thick. of Flange (C)	Diam. of Raised Face (R)	Diam. of Hub at Base (X)	Diam. of Hub at Point of Welding (A)	Length thru Hub (Y)	No. of Holes	Diam. of Holes (DH)	Diam. of Bolts	Diam. of Bolt Circle (BC)	Approx. Weight (in Pounds)
1/2	3.50	0.38	1.38	1.19	0.84	1.88	4	0.62	0.50	2.38	2
3/4	3.88	0.44	1.69	1.50	1.05	2.06	4	0.62	0.50	2.75	2
1	4.25	0.5	2.00	1.94	1.32	2.19	4	0.62	0.50	3.12	3
1 1/4	4.62	0.56	2.50	2.31	1.66	2.25	4	0.62	0.50	3.50	3
1 1/2	5.00	0.63	2.88	2.56	1.90	2.44	4	0.62	0.50	3.88	4
2	6.00	0.69	3.62	3.06	2.38	2.50	4	0.75	0.62	4.75	6
2 1/2	7.00	0.82	4.12	3.56	2.88	2.75	4	0.75	0.62	5.50	8
3	7.50	0.88	5.00	4.25	3.50	2.75	4	0.75	0.62	6.00	10
3 1/2	8.50	0.88	5.50	4.81	4.00	2.81	8	0.75	0.62	7.00	12
4	9.00	0.88	6.19	5.31	4.50	3.00	8	0.75	0.62	7.50	15
5	10.00	0.88	7.31	6.44	5.56	3.50	8	0.88	0.75	8.50	19
6	11.00	0.94	8.50	7.56	6.63	3.50	8	0.88	0.75	9.50	24
8	13.50	1.06	10.62	9.69	8.63	4.00	8	0.88	0.75	11.75	39
10	16.00	1.13	12.75	12.00	10.75	4.00	12	1.00	0.88	14.25	52
12	19.00	1.19	15.00	14.38	12.75	4.50	12	1.00	0.88	17.00	80
14	21.00	1.32	16.25	15.75	14.00	5.00	12	1.12	1.00	18.75	110
16	23.50	1.38	18.50	18.00	16.00	5.00	16	1.12	1.00	21.25	140
18	25.00	1.5	21.00	19.88	18.00	5.50	16	1.25	1.12	22.75	150
20	27.50	1.63	23.00	22.00	20.00	5.69	20	1.25	1.12	25.00	180
22	29.50	1.75	25.25	24.00	22.00	5.82	20	1.38	1.25	27.25	215
24	32.00	1.82	27.25	26.12	24.00	6.00	20	1.38	1.25	29.50	260

* Dimensions conform to ASTM A/SA-105; ASME B16.5

* Bore to be determined at time of order.