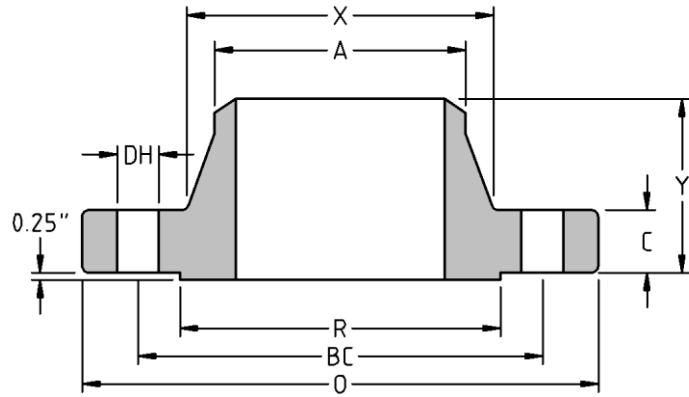




Weld Neck Flange
CLASS 1500
Inches / Pounds



Nominal Pipe Size	Outside Diam. of Flange (O)	Thick. of Flange (C)	Diam. of Raised Face (R)	Diam. of Hub at Base (X)	Diam. of Hub at Point of Welding (A)	Length thru Hub (Y)	No. of Holes	Diam. of Holes (DH)	Diam. of Bolts	Diam. of Bolt Circle (BC)	Approx. Weight (in Pounds)
1/2	4.75	0.88	1.38	1.50	0.84	2.38	4	0.88	0.75	3.25	5
3/4	5.12	1.00	1.69	1.75	1.05	2.75	4	0.88	0.75	3.50	6
1	5.88	1.12	2.00	2.06	1.32	2.88	4	1.00	0.88	4.00	9
1 1/4	6.25	1.12	2.50	2.50	1.66	2.88	4	1.00	0.88	4.38	10
1 1/2	7.00	1.25	2.88	2.75	1.90	3.25	4	1.12	1.00	4.88	13
2	8.50	1.50	3.62	4.12	2.38	4.00	8	1.00	0.88	6.50	25
2 1/2	9.62	1.62	4.12	4.88	2.88	4.12	8	1.12	1.00	7.50	36
3	10.50	1.88	5.00	5.25	3.50	4.62	8	1.25	1.12	8.00	48
4	12.25	2.12	6.19	6.38	4.50	4.88	8	1.38	1.25	9.50	73
5	14.75	2.88	7.31	7.75	5.56	6.12	8	1.62	1.50	11.50	130
6	15.50	3.25	8.50	9.00	6.63	6.75	12	1.50	1.38	12.50	165
8	19.00	3.62	10.62	11.50	8.63	8.38	12	1.75	1.62	15.50	275
10	23.00	4.25	12.75	14.50	10.75	10.00	12	2.00	1.88	19.00	455
12	26.50	4.88	15.00	17.75	12.75	11.12	16	2.12	2.00	22.50	690
14	29.50	5.25	16.25	19.50	14.00	11.75	16	2.38	2.25	25.00	940
16	32.50	5.75	18.50	21.75	16.00	12.25	16	2.62	2.50	27.75	1,250
18	36.00	6.38	21.00	23.50	18.00	12.88	16	2.88	2.75	30.50	1,625
20	38.75	7.00	23.00	25.25	20.00	14.00	16	3.12	3.00	32.75	2,050
24	46.00	8.00	27.25	30.00	24.00	16.00	16	3.62	3.50	39.00	3,325

** Dimensions conform to ASTM A/SA-105N; ASME B16.5*

** Bore to be determined at time of order.*