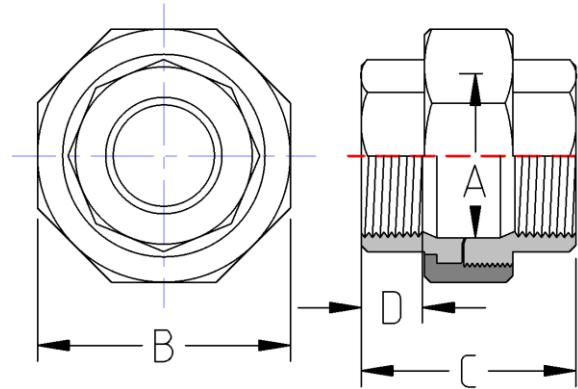




Threaded Union
MSS SP-114 Pattern
150# Cast Stainless Steel
Inches / Pounds



Nominal Pipe Size	Bore Diameter (A)	Width Across Flats (B)	End to End (C)	Thread Length (D)	Nominal Metal Thickness**	Approx. Weight (in Pounds)
1/8"	0.406	1.047	1.272	0.264	0.09	0.16
1/4"	0.535	1.165	1.449	0.331	0.09	0.29
3/8"	0.689	1.378	1.622	0.370	0.10	0.33
1/2"	0.835	1.496	1.736	0.441	0.10	0.52
3/4"	1.047	1.772	1.969	0.512	0.12	0.78
1"	1.307	2.150	2.091	0.598	0.13	1.06
1-1/4"	1.654	2.646	2.272	0.681	0.14	1.56
1-1/2"	1.890	2.976	2.421	0.717	0.15	1.88
2"	2.362	3.445	2.756	0.768	0.17	3.06
2-1/2"	2.862	4.157	3.236	0.945	0.21	5.34
3"	3.488	4.984	3.516	0.992	0.23	7.06
4"	4.488	6.228	3.878	1.094	0.26	11.78

****The material composition and quality comply with ASTM A351/A351M "Standard Specification for Castings, Austenitic, for Pressure-Containing Parts"***

****NPT Threads on all fittings conform to ASME B1.20.1***

****Dimensions comply with MSS SP-114***

***** Patterns shall be designed to produce castings of metal thickness given in table. Metal thickness at no point shall be less than 90% of the nominal metal thickness value.***