

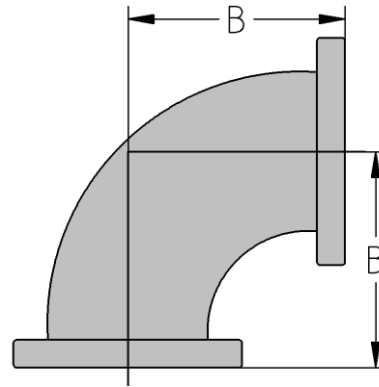


Flanged Long Radius 90°
Elbow

125# Cast Iron

150# Ductile Iron

Inches / Pounds



Size	B	Approximate Weight (in Pounds)
3	7.75	28
4	9.00	50
6	11.50	85
8	14.00	153
10	16.50	230
12	19.00	350
14	21.50	580
16	24.00	740
18	26.50	840
20	29.00	920
24	34.00	1640

**Sizes up to 6" are Ductile Iron, Meet ASTM A395, ANSI/AWWA C110/A21.10, ANSI B16.42*

**Sizes 8" and Larger are Cast Iron, Meet ASTM A126, ANSI/AWWA C110/A21.10, ANSI B16.1*

**All Fittings are Asphalt Coated as Standard, Hot Dip Galvanizing Available*