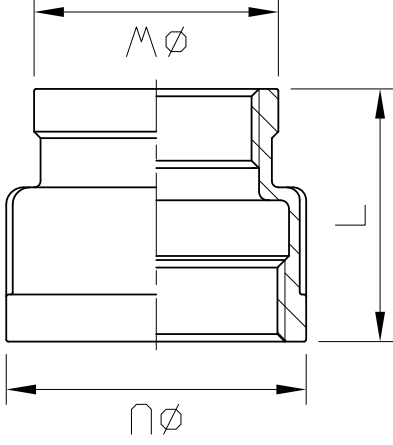
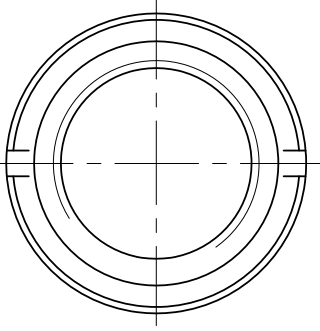


# REDUCING SOCKET



0.1	GENERAL
0.2	TOLERANCE
0.3	
0.5	
0.8	
1.0	
1.2	
1.5	
2.0	
3.0	
4.0	
5.0	
6.3	
8.0	
10	
12	
15	
20	
25	
32	
40	
50	
63	
80	
100	
125	
160	
200	
250	
315	
400	
500	
630	
800	
1000	

SIZE	L		U		W		Weight	
	mm	in	mm	in	mm	in	kg	lb
1/4"	24	0.94	18	0.71	15	0.59	0.02	0.044
3/8"	29	1.14	22	0.87	15	0.59	0.026	0.057
	29	1.14	22	0.87	18	0.71	0.029	0.064
	34	1.34	28	1.1	15	0.59	0.058	0.128
1/2"	34	1.34	28	1.1	18	0.71	0.058	0.128
	34	1.34	28	1.1	22	0.87	0.062	0.137
3/4"	34	1.34	34	1.34	15	0.59	0.065	0.143
	34	1.34	34	1.34	18	0.71	0.067	0.148
	36	1.42	34	1.34	22	0.87	0.079	0.174
1"	36	1.42	34	1.34	28	1.1	0.082	0.181
	39	1.54	42	1.65	15.5	0.61	0.105	0.231
	41	1.61	42	1.65	19	0.75	0.113	0.249
1-1/4"	41	1.61	42	1.65	22	0.87	0.111	0.245
	42	1.65	42	1.65	28	1.1	0.121	0.267
	42	1.65	42	1.65	34	1.34	0.126	0.276
1-1/2"	42	1.65	50	1.97	16	0.63	0.151	0.333
	42	1.65	50	1.97	18	0.71	0.156	0.344
	46	1.81	50	1.97	22	0.87	0.156	0.344
2"	46	1.81	50	1.97	28	1.1	0.161	0.355
	46	1.81	50	1.97	34	1.34	0.175	0.386
	47	1.85	50	1.97	41.5	1.63	0.185	0.408
2-1/2"	43.5	1.71	57	2.24	16	0.63	0.217	0.478
	43.5	1.71	57	2.24	18	0.71	0.198	0.437
	43.5	1.71	57	2.24	22	0.87	0.204	0.45
3"	47	1.85	57	2.24	28	1.1	0.21	0.463
	47	1.85	57	2.24	34	1.34	0.209	0.461
	49	1.93	57	2.24	42	1.65	0.235	0.518
3-1/4"	51	2.01	57	2.24	50	1.97	0.236	0.52

SIZE	L		U		W		Weight	
	mm	in	mm	in	mm	in	kg	lb
2"	47	1.85	70	2.76	14.8	0.58	0.327	0.721
	48	1.89	70	2.76	18.5	0.73	0.346	0.763
	50	1.97	70	2.76	22.1	0.87	0.317	0.699
2-1/2"	51	2.01	70	2.76	28	1.1	0.307	0.677
	55	2.17	70	2.76	34	1.34	0.315	0.694
	55	2.17	70	2.76	41	1.61	0.345	0.761
3"	59	2.32	70	2.76	50	1.97	0.35	0.772
	59	2.32	70	2.76	57	2.24	0.362	0.798
	59	2.32	88	3.46	41	1.61	0.723	1.594
3-1/2"	59	2.32	88	3.46	50	1.97	0.642	1.415
	60	2.36	88	3.46	57	2.24	0.645	1.422
	61	2.4	88	3.46	70	2.76	0.557	1.228
4"	62	2.44	102	4.02	34	1.34	0.726	1.601
	62	2.44	102	4.02	41	1.61	0.689	1.541
	63	2.48	102	4.02	50	1.97	0.775	1.709
4-1/2"	63	2.48	102	4.02	57	2.24	0.783	1.726
	65	2.56	102	4.02	73	2.87	0.789	1.739
	71	2.8	102	4.02	88	3.46	1.076	2.372
5"	71	2.8	102	4.02	88	3.46	0.947	2.088
	66	2.6	130	5.12	60	2.36	1.138	2.509
	66.5	2.62	130	5.12	60	2.36	1.069	2.357
6"	67	2.64	130	5.12	73	2.87	1.161	2.56
	71	2.8	130	5.12	88	3.46	1.143	2.52
	77	3.03	130	5.12	102	4.02	1.367	3.014

Tolerance:  $\pm 0.5\text{mm}(1/8'' \sim 2'')$   
 $\pm 0.8\text{mm}(2-1/2'' \sim 4'')$

△		
△		
△		
Revise	Description	Date
DRAWING NO.		Approve
F24		-20

**SERVICE METAL**  
 Pipe Fittings, Flanges & Valves

CHECK BY	DRAWING BY	DATE	SPECIFICATION
	Ray	Oct.12.2020	Reducing Socket
CHECK BY	DRAWING BY	DATE	SPECIFICATION
	Ray	Oct.12.2020	304/316
MATERIAL		PROCESS/AN.	UNIT / SCALE
304/316			mm