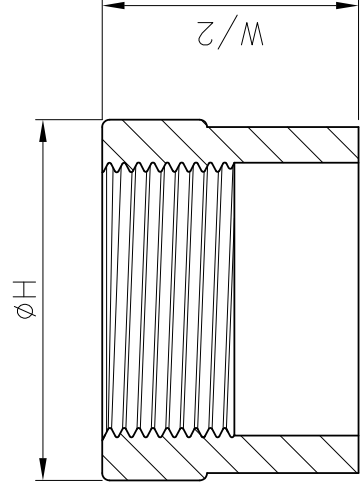


# HALF COUPLING



0.5~5	GENERAL TOLERANCE	0.1
6~30		0.2
31~120		0.3
121~320		0.5
321~1000		0.8
0.1	⌀	
0.25	▽	
6.3	▽	
1.6	▽	
0.2	▽	
Ra	▽	
JIS	▽	

SIZE	1/8"		1/4"		3/8"		1/2"		3/4"		1"		1-1/4"		1-1/2"		2"		2-1/2"		3"		4"	
	mm	in	mm	in	mm	in	mm	in	mm	in	mm	in	mm	in	mm	in	mm	in	mm	in	mm	in	mm	in
H(Min.)	19.05	0.75	21.34	0.84	25.65	1.01	30.48	1.2	37.08	1.46	44.96	1.77	54.61	2.15	61.72	2.43	75.18	2.96	84.07	3.31	101.6	4	128.52	5.06
W(Min.)	25.4	1	25.4	1	28.45	1.12	35.05	1.38	38.1	1.5	41.15	1.62	50.8	2	53.85	2.12	63.5	2.5	72.9	2.87	80.77	3.18	93.47	3.68
Weight	0.024	0.053	0.026	0.057	0.04	0.088	0.066	0.146	0.095	0.209	0.135	0.298	0.226	0.498	0.296	0.653	0.472	1.041	0.539	1.188	1.757	1.757	1.291	2.846

\* MSS SP-114

<p><b>SERVICE METAL</b> Pipe Fittings, Flanges &amp; Valves</p>		CHECK BY	DRAWING BY	DATE	SPECIFICATION	<p>Half Coupling</p>	
			<i>Ray</i>	Oct.12.2020	MATERIAL	304/316	
					PROCESS/Nr.		
					UNIT / SCALE	mm	
					REVISION		
					DESCRIPTION		
					DATE		Approve
					DRAWING NO.	M07	-20