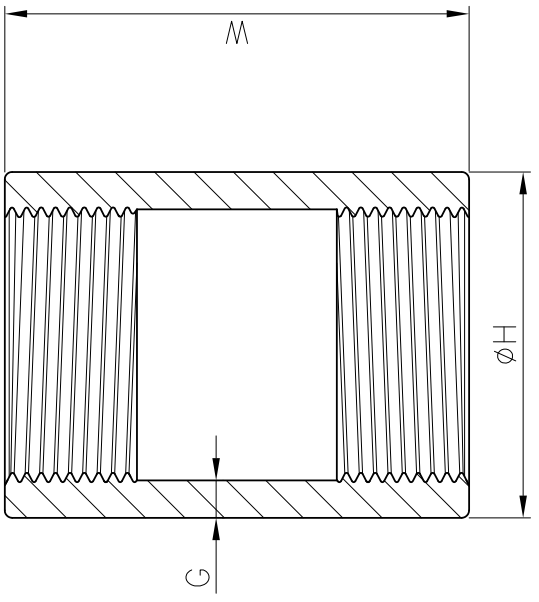
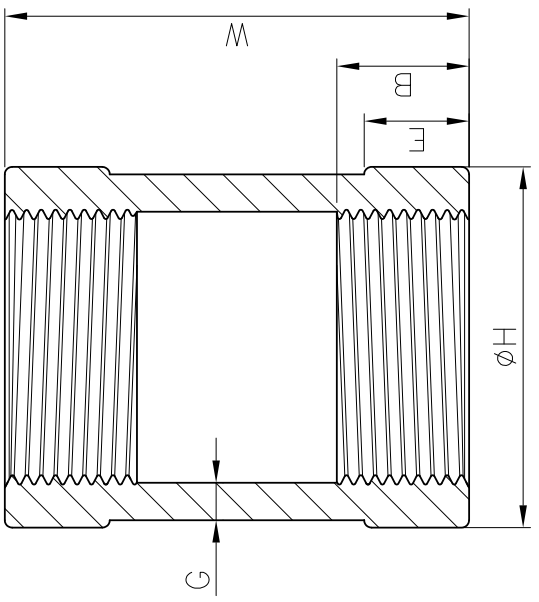


FULL COUPLING

0.5~5	GENERAL TOLERANCE	0.3~1.20	± 0.3
6~30		121~320	± 0.5
31~120		321~1000	± 0.8
1.6	▽		
6.3	▽		
25	▽		
0.2	▽		
1.6	▽		
0.2	▽		
Ra	▽		
JIS			



NON-BANDED



BANDED

SIZE	1/8"		1/4"		3/8"		1/2"		3/4"		1"		1-1/4"		1-1/2"		2"		2-1/2"		3"		4"	
	mm	in	mm	in	mm	in	mm	in	mm	in	mm	in	mm	in	mm	in	mm	in	mm	in	mm	in	mm	in
B(Min.)	6.35	0.25	8.13	0.32	9.14	0.36	10.92	0.43	12.7	0.5	14.73	0.58	17.02	0.67	19.05	0.75	23.37	0.92	24.89	0.98	27.43	1.08		
E(Min.)	5.08	0.2	5.08	0.2	5.33	0.21	6.35	0.25	6.86	0.27	7.62	0.3	8.64	0.34	10.67	0.42	12.19	0.48	13.97	0.55	16.76	0.66		
G	2.29	0.09	2.29	0.09	2.54	0.1	2.54	0.1	3.05	0.12	3.3	0.13	3.56	0.14	4.32	0.17	5.33	0.21	5.84	0.23	6.6	0.26		
H(Min.)	19.05	0.75	21.34	0.84	25.65	1.01	30.48	1.2	37.08	1.46	44.96	1.77	54.61	2.15	75.18	2.96	84.07	3.31	101.6	4	128.52	5.06		
W(Min.)	25.4	1	25.4	1	28.45	1.12	35.05	1.38	38.1	1.5	41.15	1.62	50.8	2	63.5	2.5	72.9	2.87	80.77	3.18	93.47	3.68		
Weight	0.054	0.119	0.055	0.121	0.083	0.183	0.122	0.269	0.178	0.392	0.265	0.584	0.441	0.972	1.276	2.002	0.994	2.191	1.52	3.351	2.53	5.578		

* MSS SP-114

SERVICE METAL
Pipe Fittings, Flanges & Valves

CHECK BY	DRAWING BY	DATE	SPECIFICATION
	<i>Ray</i>	Oct.12.2020	Full Coupling
			MATERIAL
			304/316
			PROCESS/Nr.
			UNIT / SCALE
			mm

REVISION	DATE	DESCRIPTION
Revise		
Revise		
Revise		

DRAWING NO. **M06**

Date **-20**

Approve