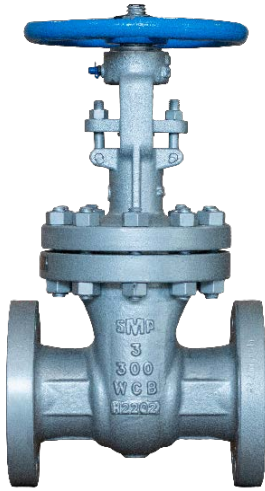




FEATURES

- Class 300
- Flanged Ends
- OS&Y
- Rising Stem
- Bolted Bonnet
- Flexible Wedge
- Full Port
- API Trim 8
- Maximum Pressure 285 PSI
- Temperature Range: -20 to 797

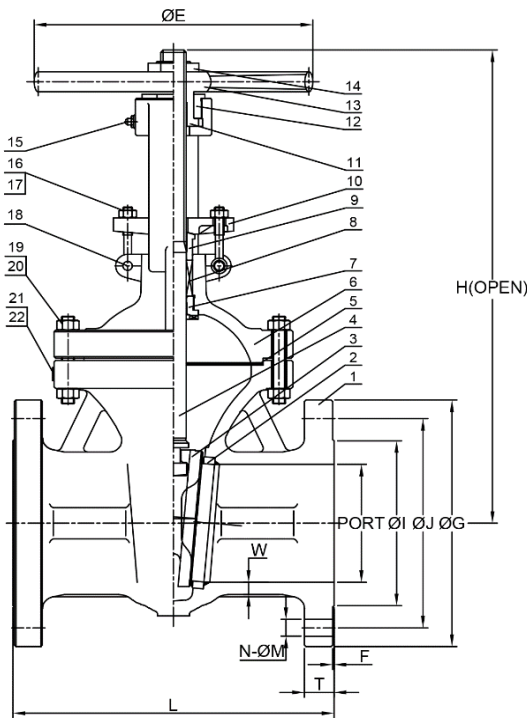


APPLICABLE STANDARDS

- Design API 600
- Face to Face Dimension Conforms to ANSI B16.10
- Raised Face Flanged Ends Conforms to ANSI
- Tested According to API 598

Materials of Construction

Item	Part	ASTM
1	Body	A216 WCB
2	Seat Ring	A105+CoCr-A
3	Wedge	A216-WCB
4	Stem	A182 Gr. F6a
5	Gasket	316SS+ Graphite SW
6	Bonnet	A216 WCB
7	Backseat Bushing	A276 Gr. 410
8	Packing	API 622 Graphite (Low E)
9	Packing Gland	A276 Gr. 410
10	Gland Flange	A216 WCB
11	Stem Nut	A439 Gr. D-2
12	Gland Nut	A29 Gr. 1035
13	Handwheel	A536 Gr. 65-45-12
14	Handwheel Nut	A29 Gr. 1035
15	Grease Injector	A570 Gr. A
16	Packing Bolt	A193 Gr. B7M
17	Packing Nut	A194 Gr. 2HM
18	Packing Bolt Pin	A29 Gr. 1020
19	Body/ Bonnet Bolt	A193 Gr. 87M
20	Body/ Bonnet Nut	A194 Gr. 2HM
21	Rivet	AISI 304
22	Nameplate	AISI 304



Dimensions (Inches)

Size	L	ØI	ØJ	ØG	T	N-ØM	F	H	ØE	Weight (lbs)
2"	8.50	3.62	5.00	6.50	0.88	8-Ø0.75	0.06	16.54	7.87	52.80
2-1/2"	9.50	4.12	5.88	7.50	1.00	8-Ø0.875	0.06	17.72	7.87	84.80
3"	11.12	5.00	6.62	8.25	1.12	8-Ø0.875	0.06	20.71	9.84	104.80
4"	12.00	6.19	7.88	10.00	1.25	8-Ø0.875	0.06	24.41	9.84	144.50
6"	15.88	8.50	10.62	12.50	1.44	12-Ø0.875	0.06	32.44	13.78	303.10
8"	16.50	10.62	13.00	15.00	1.62	12-Ø 1	0.06	39.45	15.75	454.50
10"	18.00	12.75	15.25	17.50	1.86	16-Ø1.125	0.06	47.32	17.72	737.50

St. Louis

4300 Planned Industrial Dr.
St. Louis, MO 63120

Charlotte

2320 Toomey Ave.
Charlotte, NC 28203

Houston

3500 E. Crosstimbers St.
Houston, TX 77093

servicemetal.net

800-325-7820