



# 150# CS FLANGED SWING CHECK VALVE

# SM150SCV

## FEATURES

- Class 150
- Flanged Ends
- API Trim 8
- Maximum Pressure 285 PSI
- Temperature Range: -20 to 797

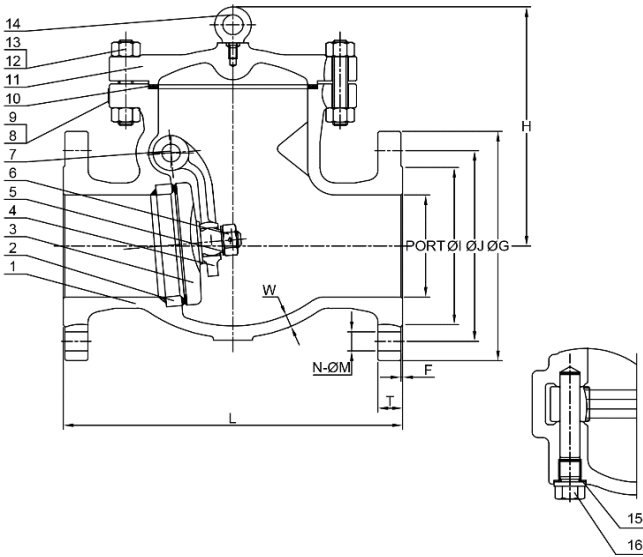


## APPLICABLE STANDARDS

- Design API 594
- Face to Face Dimension Conforms to ANSI B16.10
- Raised Face Flanged Ends Conforms to ANSI B16.5
- Tested According to API 598
- Nace MR0175

## Materials of Construction

Item	Part	ASTM
1	Body	A216 WCB
2	Seat Ring	A105+CoCr-A
3	Disc	A105+410
4	Swing Arm	A216 WCB
5	Disc Washer	A276 Gr. 410
6	Disc Nut	A194 Gr. 2HM
7	Hinge Pin	A276 Gr. 410
8	Name Plate	AISI 304
9	Rivet	AISI 304
10	Gasket	316SS+ Graphite SW
11	Bonnet	A216 WCB
12	Cover Stud	A193 Gr. B7M
13	Cover Nut	A194 Gr. 2HM
14	Eye Bolt(≥2")	A29 Gr. 1035
15	Plug Seal	A29 Gr. 1008
16	Plug	A276 Gr. 410



## Dimensions (Inches)

Size	L	ØI	ØJ	ØG	T	N-ØM	F	Weight (lbs)
2"	8.00	3.62	4.75	6.00	0.63	4-Ø0.75	0.06	41.20
2-1/2"	8.50	4.12	5.50	7.00	0.69	4-Ø0.75	0.06	52.50
3"	9.50	5.00	6.00	7.50	0.75	4-Ø0.75	0.06	61.20
4"	11.50	6.19	7.50	9.00	0.94	8-Ø0.75	0.06	92.30
6"	14.00	8.50	9.50	11.00	1.00	8-Ø0.875	0.06	149.50
8"	19.50	10.62	11.75	13.50	1.12	8-Ø0.875	0.06	264.20
10"	24.50	12.75	14.25	16.00	1.19	12-Ø1.0	0.06	445.30
12"	27.50	15.00	17.00	19.00	1.25	12-Ø1.0	0.06	684.60

**St. Louis**

4300 Planned Industrial Dr.  
St. Louis, MO 63120

**Charlotte**

2320 Toomey Ave.  
Charlotte, NC 28203

**Houston**

3500 E. Crosstimbers St.  
Houston, TX 77093

**servicemetal.net**

**800-325-7820**