

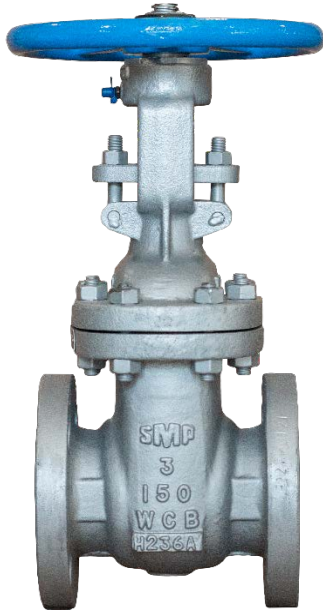


150# CS OS&Y FLANGED GATE VALVE

SM150GVO

FEATURES

- Class 150
- Flanged Ends
- OS&Y
- Rising Stem
- Bolted Bonnet
- Flexiblbe Wedge
- Full Port
- API Trim 8
- Maximum Pressure 285 PSI
- Temperature Range: -20 to 797

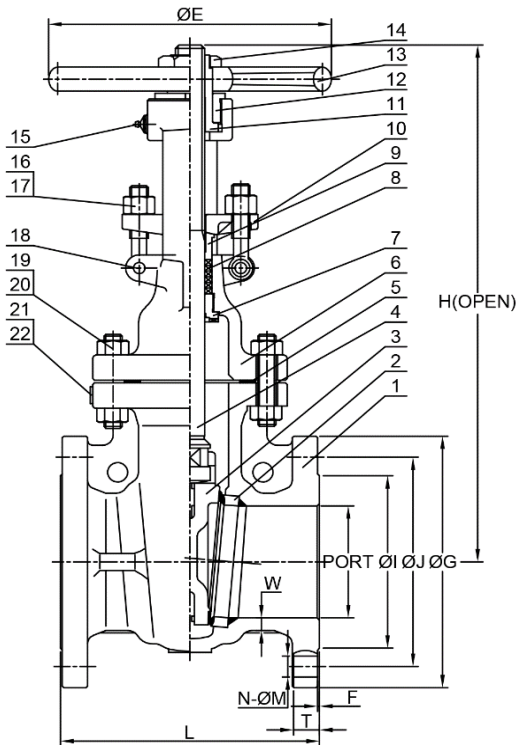


APPLICABLE STANDARDS

- Design API 600
- Face to Face Dimension Conforms to ANSI B16.10
- Raised Face Flanged Ends Conforms to ANSI
- Tested According to API 598
- Nace MR0175

Materials of Construction

Item	Part	ASTM
1	Body	A216 WCB
2	Seat Ring	A105+CoCr-A
3	Wedge	A216 Gr. WCB+410
4	Stem	A182 F6a
5	Gasket	316SS+Graphite JA
6	Bonnet	A216 WCB
7	Backseat	A276 Gr. 410
8	Packing	API 622 Graphite (Low E)
9	Gland	A276 Gr. 410
10	Gland Flange	A216 Gr. WCB
11	Stem Nut	A439 Gr. D-2
12	Gland Nut	A29 Gr. 1035
13	Handwheel	A536 Gr. 65-45-12
14	Handwheel Nut	A29 Gr. 1035
15	Grease Injector	A570 Gr A
16	Packing Bolt	A193 Gr. B7M
17	Packing Nut	A194 Gr. 2HM
18	Packing Bolt Pin	A29 Gr. 1020
19	Body/ Bonnet Bolt	A193 Gr. B7M
20	Body/ Bonnet Nut	A194 Gr. 2HM
21	Rivet	AISI 304
22	Nameplate	AISI 304



Dimensions (Inches)

Size	L	ØI	ØJ	ØG	T	N-ØM	F	ØE	H	Weight (lbs)
2"	7.00	3.62	4.75	6.00	0.63	4-Ø0.75	0.06	7.87	15.20	41.90
2-1/2"	7.50	4.12	5.50	7.00	0.69	4-Ø0.75	0.06	7.87	17.13	61.70
3"	8.00	5.00	6.00	7.50	0.75	4-Ø0.75	0.06	9.84	19.02	75.00
4"	9.00	6.19	7.50	9.00	0.94	8-Ø0.75	0.06	9.84	23.35	110.30
5"	10.00	7.31	8.50	10.00	0.94	8-Ø0.875	0.06	11.81	26.77	141.10
6"	10.50	8.50	9.50	11.00	1.00	8-Ø0.875	0.06	11.81	30.31	187.40
8"	11.50	10.62	11.75	13.50	1.12	8-Ø0.875	0.06	13.78	37.60	249.20
10"	13.00	12.75	14.25	16.00	1.19	12-Ø1.00	0.06	15.75	45.39	377.10
12"	14.00	15.00	17.00	19.00	1.25	12-Ø1.01	0.06	17.72	52.83	542.40

St. Louis

4300 Planned Industrial Dr.
St. Louis, MO 63120

Charlotte

2320 Toomey Ave.
Charlotte, NC 28203

Houston

3500 E. Crosstimbers St.
Houston, TX 77093

servicemetal.net

800-325-7820