



# 150# CS OS&Y FLANGED GATE VALVE

# SM150GVO



## FEATURES

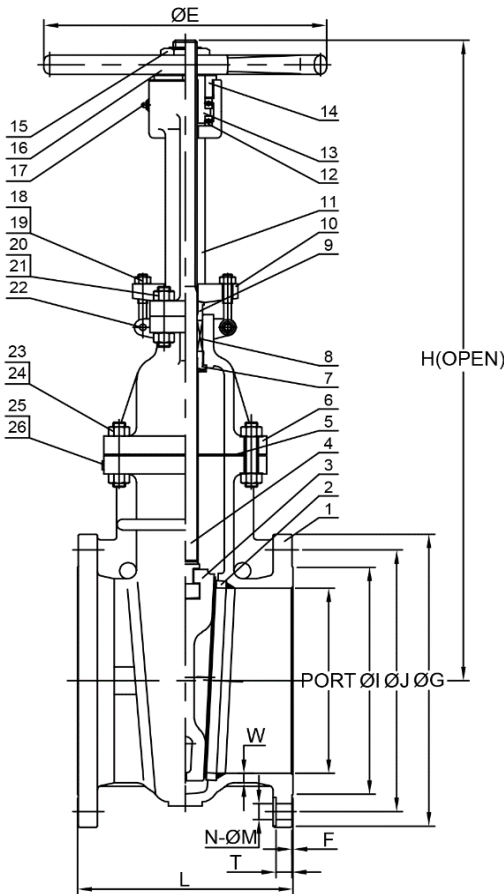
- Class 150
- Flanged Ends
- OS&Y
- Rising Stem
- Bolted Bonnet
- Flexible Wedge
- Full Port
- API Trim 8
- Maximum Pressure 285 PSI
- Temperature Range: -20 to 797

## APPLICABLE STANDARDS

- Design API 600
- Face to Face Dimension Conforms to ANSI B16.10
- Raised Face Flanged Ends Conforms to ANSI
- Tested According to API 598
- Nace MR0175

## Materials of Construction

Item	Part	ASTM
1	Body	A216 WCB
2	Seat Ring	A105+CoCr-A
3	Wedge	A216 Gr. WCB+410
4	Stem	A182 F6a
5	Gasket	316SS+Graphite JA
6	Bonnet	A216 WCB
7	Backseat Bushing	A276 Gr. 410
8	Packing	API 622 Graphite ( Low E )
9	Packing Gland	A276 Gr. 410
10	Gland Flange	A216 Gr. WCB
11	Yoke	A216 Gr. WCB
12	Bearing	A295 Gr. 52100
13	Stem Nut	A439 Gr. D-2
14	Gland Nut	A29 Gr. 1035
15	Handwheel Nut	A29 Gr. 1035
16	Handwheel	A536 Gr. 65-45-12
17	Grease Injector	A570 Gr. A
18	Packing Bolt	A193 Gr. B7M
19	Packing Nut	A194 Gr. 2HM
20	Bonnet/Yoke Bolt	A193 Gr. B7M
21	Bonnet/Yoke Nut	A194 Gr. 2HM
22	Packing Bolt Pin	A29 Gr. 1020
23	Body/Bonnet Bolt	A193 Gr. B7M
24	Body/Bonnet Nut	A194 Gr. 2HM
25	Rivet	AISI 304
26	Nameplate	AISI 304



## Dimensions (Inches)

Size	L	ØI	ØJ	ØG	T	N-ØM	F	ØE	H	Weight (lbs)
14"	15.00	16.25	18.75	21.00	1.38	12-Ø1.125	0.06	19.69	60.00	839.10
16"	16.00	18.50	21.25	23.50	1.44	16-Ø1.125	0.06	22.05	76.77	1,134.60
18"	17.00	21.00	22.75	25.00	1.56	16-Ø1.250	0.06	25.20	78.90	1,427.60
20"	18.00	23.00	25.00	27.50	1.69	20-Ø1.250	0.06	25.20	83.46	1,741.90
24"	20.00	27.25	29.50	32.00	1.88	20-Ø1.375	0.06	28.35	97.64	2,492.70

**St. Louis**

4300 Planned Industrial Dr.  
St. Louis, MO 63120

**Charlotte**

2320 Toomey Ave.  
Charlotte, NC 28203

**Houston**

3500 E. Crosstimbers St.  
Houston, TX 77093

**servicemetal.net**

**800-325-7820**