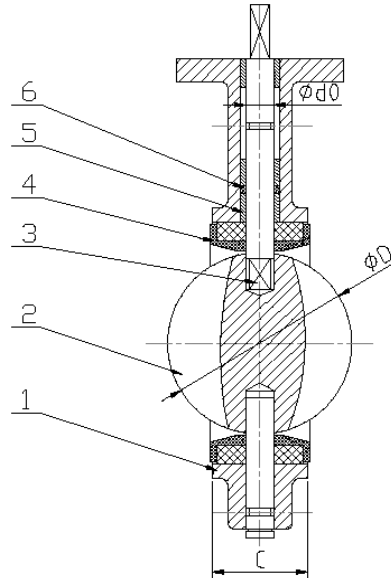
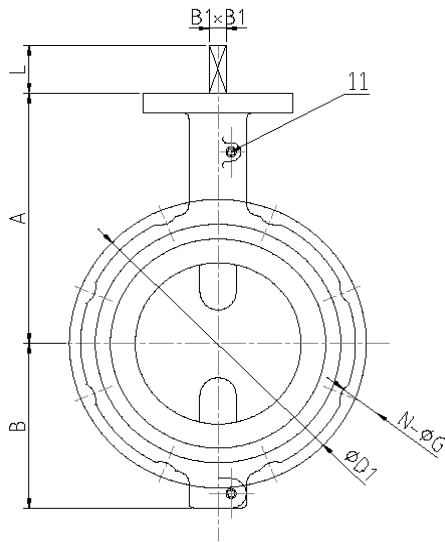




**Applicable Standards**

- Notched Body
- Short Pattern
- Grease Fitting
- 200 PSI 2" - 14"

- Valve Design Conforms to API 609 Class A
- Mounting Pad Conforms to ISO 5211
- Ends Conforms to ASME B16.1 and B16.5
- Inspected & Tested According to API 598



**Materials of Construction**

Item	Part	Material	ASTM
1	Body	Ductile Iron	A536
2	Disc	316 SS	CF8M
3	Shaft	316 SS	CF8M
4	Seat	BUNA (NBR)	N/A
5	Bushing	PTFE	N/A
6	O-Ring	BUNA (NBR)	N/A
7	Lever	Ductile Iron	A536
8	Indicator	Stainless Steel	201 SS
9	Handwheel	Cast Iron	A126B
10	Gear	Cast Iron	A126B
11	Pin	Carbon Steel	N/A

**Dimensions (Inches)**

Size	A	B	C	D	d0	B1	L	D1	N - ø G	&°	Weight (Lbs)
2"	4.57	2.64	1.69	2.09	.50	0.43	1.02	4.74	4-0.75	90°	4.85
2-1/2"	4.76	3.15	1.77	2.56	.50	0.43	1.18	5.49	4-0.75	90°	5.51
3"	4.88	3.31	1.77	3.11	.50	0.43	1.18	6.00	4-0.75	45°	6.61
4"	5.98	3.58	2.05	4.09	.62	0.43	1.18	7.50	8-0.75	45°	9.48
5"	6.26	4.80	2.20	4.85	.74	0.55	1.18	8.50	8-0.89	45°	13.45
6"	6.50	5.00	2.20	6.11	.74	0.55	1.57	9.51	8-0.89	45°	15.54
8"	8.03	6.14	2.36	7.97	.87	0.67	1.57	11.75	8-0.89	45°	27.45
10"	9.96	7.44	2.68	9.86	1.12	0.87	1.57	14.25	12-1.00	22.5°	45.42
12"	12.20	9.65	3.07	11.87	1.24	0.87	1.57	17.01	12-1.00	22.5°	72.31

**St. Louis**

4300 Planned Industrial Dr.  
St. Louis, MO 63120

**Charlotte**

2320 Toomey Ave.  
Charlotte, NC 28203

**Houston**

3500 E. Crosstimbers St.  
Houston, TX 77093

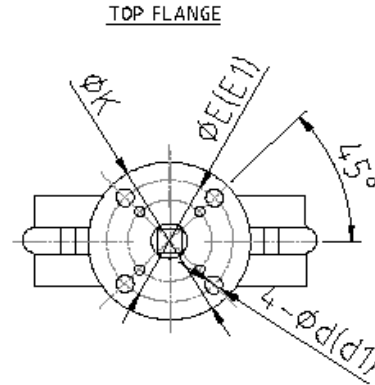
**servicemetal.net**

**800-325-7820**



**Mounting Pad (Inches)**

Size	ISO 5211	Ø K	Ø E	Ø E1	4-Ød	4-Ød1
2"	F05	4.00	3.25	1.97	4-Ø0.44	4-Ø0.28
2-1/2"	F05	4.00	3.25	1.97	4-Ø0.44	4-Ø0.28
3"	F05	4.00	3.25	1.97	4-Ø0.44	4-Ø0.28
4"	F07	4.00	3.25	2.76	4-Ø0.44	4-Ø0.39
5"	F07	4.00	3.25	2.76	4-Ø0.44	4-Ø0.39
6"	F07	4.00	3.25	2.76	4-Ø0.44	4-Ø0.39
8" - 10"	F10	6.05	5.00	4.02	4-Ø0.56	4-Ø0.47
12"	F10	6.05	5.00	4.02	4-Ø0.56	4-Ø0.47

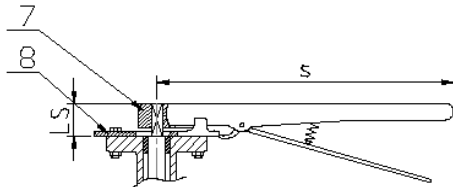


**Lever (Inches)**

Size	S	LS	Weight
2" - 3"	8.66	1.02	1.98
4" - 6"	10.24	1.06	1.98
8" - 10"	13.98	1.50	4.30
12"	19.88	1.57	5.07

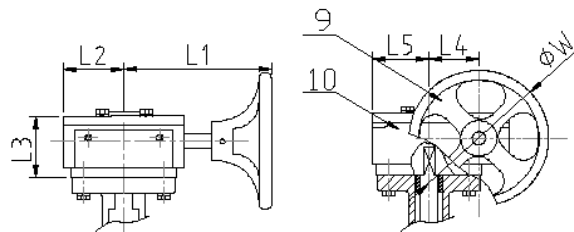
**Torque (In-Lbs)**

Size	200 PSI
2"	164
2-1/2"	226
3"	297
4"	496
5"	735
6"	1193
8"	2246
10"	3738
12"	5440



**Gear Operator (Inches)**

Size	Ø W	L1	L2	L3	L4	L5	Weight
2" - 6"	5.91	5.98	2.05	2.95	1.77	2.05	8.38
8" - 10"	11.81	9.84	2.95	3.39	2.48	2.95	17.64
12"	11.81	8.94	3.19	3.27	3.19	3.19	21.83



**St. Louis**

4300 Planned Industrial Dr.  
St. Louis, MO 63120

**Charlotte**

2320 Toomey Ave.  
Charlotte, NC 28203

**Houston**

3500 E. Crosstimbers St.  
Houston, TX 77093

**servicemetal.net**

800-325-7820