



## 250# CI FLANGED SWING CHECK VALVE

# SM250SCV

### FEATURES

- Class 250
- Flanged Ends
- 500 WOG/250 SWP
- IBBM
- Bolted Cover

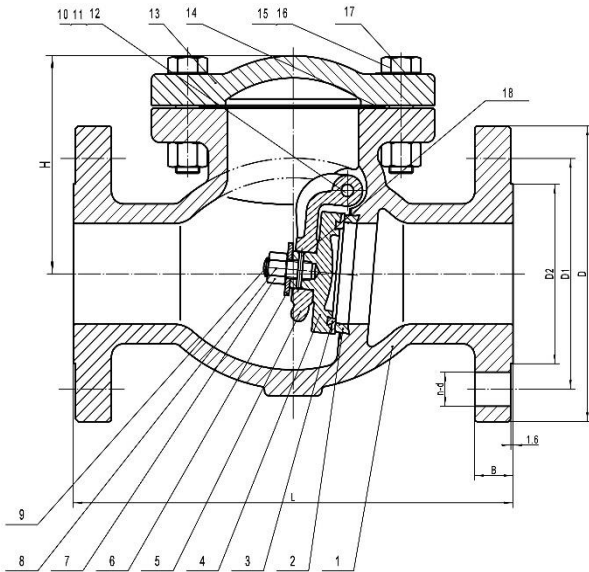


### APPLICABLE STANDARDS

- Face to Face Dimension Conforms to ANSI B16.10
- Flanged Ends Conforms to ANSI B16.1
- Conforms to MSS SP-71
- Tested According to API 598
- Conforms to ISO 9001:2008

### Materials of Construction

Item	Part	Material	ASTM
1	Body	Cast Iron	A126-B
2	Body Seat Ring	Cast Bronze	B62
3	Disc Seat Ring	Cast Bronze	B62
4	Disc	Cast Iron	A126-B
5	Hanger	Ductile Iron	A536 65-45-12
6	Washer	Steel	A283
7	Nut	Steel	A536-B
8	Split Pin	Stainless Steel	304
9	Disc Screw	Steel	A307-B
10	Side Pin	Brass	B16
11	Gasket	Teflon	Teflon
12	Hanger Pin	Stainless Steel	304
13	Bonnet	Cast Iron	A126-B
14	Gasket	Graphite	Non-Asbestos
15	Bolt	Steel	A307-B
16	Nut	Steel	A536-B
17	Identification Plate	Aluminum	Aluminum
18	Pin	Stainless Steel	304



### Dimensions (Inches)

Size	L	D	D1	b	n-d	H	Weight (lbs)
2"	10.51	6.50	5.00	0.87	8-.75	5.31	38.80
2-1/2"	11.50	7.52	5.87	1.00	8-.87	5.91	68.34
3"	12.52	8.27	6.61	1.13	8-.87	6.54	78.93
4"	14.02	10.00	7.87	1.25	8-.87	7.48	122.80
5"	15.75	10.98	9.25	1.37	8-.87	8.11	177.25
6"	17.48	12.52	10.63	1.44	12-.87	9.61	244.49
8"	20.98	15.00	12.99	1.63	12-.98	11.46	396.83
10"	24.49	17.52	15.24	1.87	16-1.14	13.27	610.68
12"	27.99	20.51	17.76	2.00	16-1.26	15.08	900.59

St. Louis

Midwest & Western U.S.

800-325-7820

Fax: 314-231-1821

Charlotte

Eastern U.S.

800-438-6946

Fax: 704-331-0646

Houston

South & Southwest U.S.

888-893-0399

Fax: 281-499-0508

[servicemetal.net](http://servicemetal.net)