



250# CI OS&Y FLANGED GATE VALVE

SM250GVO



FEATURES

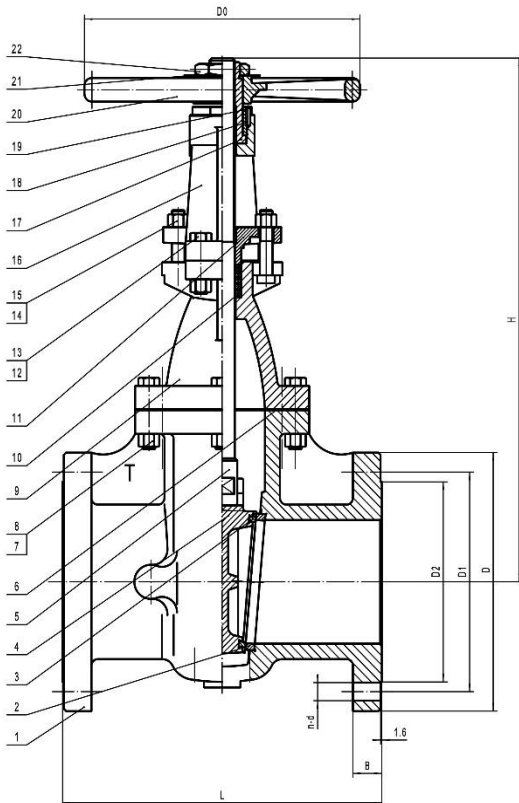
- Class 250
- Flanged Ends
- 500 WOG/250 SWP
- OS&Y
- Bolted Bonnet
- Rising Stem
- Solid Wedge
- IBBM

APPLICABLE STANDARDS

- Face to Face Dimension Conforms to ANSI B16.10
- Flanged Ends Conforms to ANSI B16.1
- Conforms to MSS SP-70
- Tested According to API 598
- Conforms to ISO 9001:2008

Materials of Construction

Item	Part	Material	ASTM
1	Body	Cast Iron	A126-B
2	Body Seat Ring	Cast Bronze	B62
3	Wedge Seat Ring	Cast Bronze	B62
4	Wedge	Cast Iron	A126-B
5	Stem	Brass	B16
6	Bonnet Gasket	Graphite	Non-Asbestos
7	Bonnet Bolt	Steel	SAE J429 Gr5
8	Bonnet Nut	Steel	A536-B
9	Bonnet	Cast Iron	A126-B
10	Packing	Graphite	Non-Asbestos
11	Gland Follower	Ductile Iron	A536 65-45-12
12	Gland Bolt	Steel	A307-B
13	Gland Nut	Steel	A536-B
14	Yoke Bolt	Steel	A307-B
15	Yoke Nut	Steel	A563-B
16	Yoke	Cast Iron	A126-B
17	Stem Nut	Cast Brass	A307-B
18	Screw	Steel	A307-B
19	Yoke Bushing Nut	Cast Iron	A126-B
20	Handwheel	Cast Iron	A126-B
21	Identification Plate	Aluminum	A2040
22	Handwheel Nut	Steel	A563-B



Dimensions (Inches)

Size	L	D	D1	D2	B	n-d	D0	H (Open)	Weight (lbs)
2"	8.50	6.50	5.00	4.17	0.87	8-.75	6.89	15.28	61.73
2-1/2"	9.50	7.52	5.87	4.92	1.00	8-.87	7.87	17.17	74.96
3"	11.12	8.27	6.61	5.67	1.13	8-.87	10.00	19.53	100.75
4"	12.00	10.00	7.87	6.93	1.25	8-.87	11.81	23.90	167.55
6"	15.87	12.52	10.63	9.65	1.44	12-.87	13.70	32.05	291.01
8"	16.50	15.00	12.99	11.93	1.63	12-.98	15.75	40.08	436.51
10"	17.99	17.52	15.24	14.07	1.87	16-1.14	17.99	47.56	620.38
12"	19.76	20.51	17.76	16.46	2.00	16-1.26	17.99	54.45	860.68

St. Louis

Midwest & Western U.S.

800-325-7820

Fax: 314-231-1821

Charlotte

Eastern U.S.

800-438-6946

Fax: 704-331-0646

Houston

South & Southwest U.S.

888-893-0399

Fax: 281-499-0508

servicemetal.net