



125# CI FLANGED SWING CHECK VALVE

SM125SCV

FEATURES

- Class 125
- Flanged Ends
- 200 WOG/125 SWP
- Bolted Cover
- IBBM

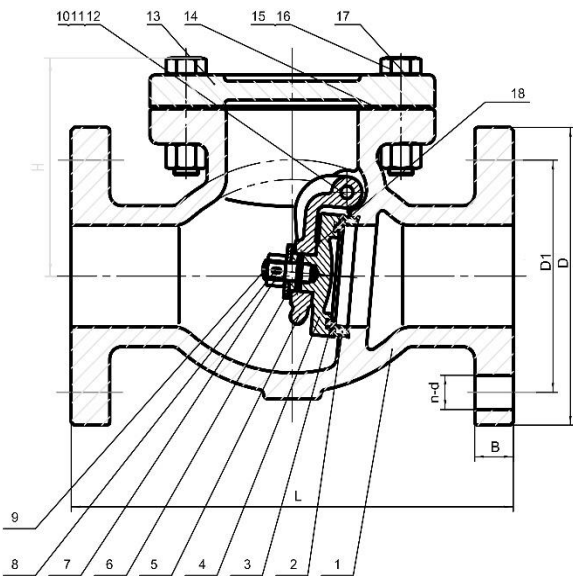


APPLICABLE STANDARDS

- Face to Face Dimension Conforms to ANSI B16.10
- Flanged Ends Conforms to ANSI B16.1
- Conforms to MSS SP-71
- Tested According to API 598
- Conforms to ISO 9001:2008

Materials of Construction

Item	Part	Material	ASTM
1	Body	Cast Iron	A126-B
2	Body Seat Ring	Cast Bronze	B62
3	Disc Seat Ring	Cast Bronze	B62
4	Disc	Cast Iron	A126-B
5	Hanger	Ductile Iron	A536 65-45-12
6	Washer	Steel	A283
7	Nut	Steel	A563-B
8	Split Pin	Stainless Steel	304
9	Disc Screw	Steel	A307-B
10	Side Pin	Brass	B16
11	Gasket	Teflon	Teflon
12	Hanger Pin	Stainless Steel	304
13	Bonnet	Cast Iron	A126-B
14	Gasket	Graphite	Non-Asbestos
15	Bolt	Steel	A307-B
16	Nut	Steel	A536-B
17	Identification Plate	Aluminum	Aluminum
18	Pin	Stainless Steel	304



Dimensions (Inches)

Size	L	D	D1	b	n-d	H	Weight (lbs)
2"	8.00	5.98	4.76	0.63	4-.75	4.41	22.93
2-1/2"	8.50	7.01	5.51	0.69	4-.75	5.20	31.31
3"	9.50	7.48	6.00	0.75	4-.75	5.55	41.89
4"	11.50	9.00	7.50	0.94	8-.75	6.38	73.41
5"	13.00	10.00	8.50	0.94	8-.87	7.56	108.03
6"	14.00	11.00	9.50	1.00	8-.87	8.31	140.21
8"	19.50	13.50	11.75	1.13	8-.87	10.63	246.92
10"	24.50	15.98	14.25	1.19	12-1	12.44	417.78
12"	27.50	19.02	17.01	1.25	12-1	14.06	544.54

St. Louis

Midwest & Western U.S.

800-325-7820

Fax: 314-231-1821

Charlotte

Eastern U.S.

800-438-6946

Fax: 704-331-0646

Houston

South & Southwest U.S.

888-893-0399

Fax: 281-499-0508

servicemetal.net