



125# CI OS&Y FLANGED GATE VALVE

SM125GVO



FEATURES

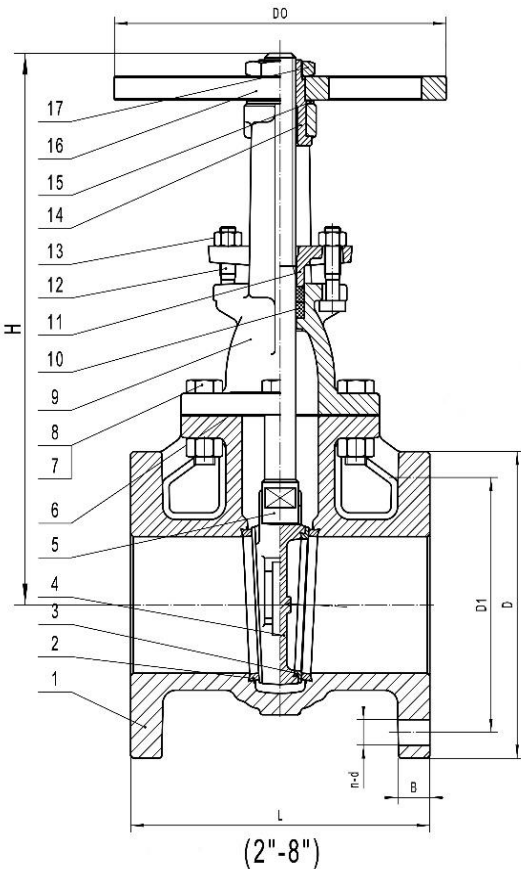
- Class 125
- Flanged Ends
- 200 WOG/125 SWP
- OS&Y
- Bolted Bonnet
- Rising Stem
- Solid Wedge
- IBBM

APPLICABLE STANDARDS

- Face to Face Dimension Conforms to ANSI B16.10
- Flanged Ends Conforms to ANSI B16.1
- Conforms to MSS SP-70
- Tested According to API 598
- Conforms to ISO 9001:2008

Materials of Construction

Item	Part	Material	ASTM
1	Body	Cast Iron	A126-B
2	Body Seat Ring	Cast Bronze	B62
3	Wedge Seat Ring	Cast Bronze	B62
4	Wedge	Cast Iron	A126-B
5	Stem	Brass	B16
6	Bonnet Gasket	Graphite	Non-Asbestos
7	Bonnet Bolt	Steel	A307-B
8	Bonnet Nut	Steel	A536-B
9	Bonnet	Cast Iron	A126-B
10	Packing	Graphite	Non-Asbestos
11	Yoke Sleeve	Ductile Iron	A536 60-40-18
12	Gland Bolt	Steel	A307-B
13	Gland Nut	Steel	A536-B
14	Stem Nut	Cast Brass	Mn-Brass
15	Handwheel Washer	Brass	B16
16	Handwheel	Cast Iron	A126-B
17	Handwheel Nut	Steel	A536-B



Dimensions (Inches)

Size	L	D	D1	B	n-d	D0	H (Open)	Weight (lbs)
2"	7.00	6.00	4.76	0.63	4-.75	7.00	12.64	29.54
2-1/2"	7.50	7.00	5.50	0.69	4-.75	7.80	14.91	39.02
3"	8.00	7.50	6.00	0.75	4-.75	7.80	17.01	51.15
4"	9.00	9.00	7.50	0.94	8-.75	10.00	20.71	84.66
5"	10.00	10.00	8.50	0.94	8-.87	10.00	24.45	107.81
6"	10.50	11.00	9.50	1.00	8-.87	11.02	28.46	144.18
8"	11.50	13.50	11.75	1.13	8-.87	11.81	36.14	235.23

St. Louis

Midwest & Western U.S.

800-325-7820

Fax: 314-231-1821

Charlotte

Eastern U.S.

800-438-6946

Fax: 704-331-0646

Houston

South & Southwest U.S.

888-893-0399

Fax: 281-499-0508

servicemetal.net