



125# CI FLANGED NON-RISING STEM GATE VALVE

SM125GVN



FEATURES

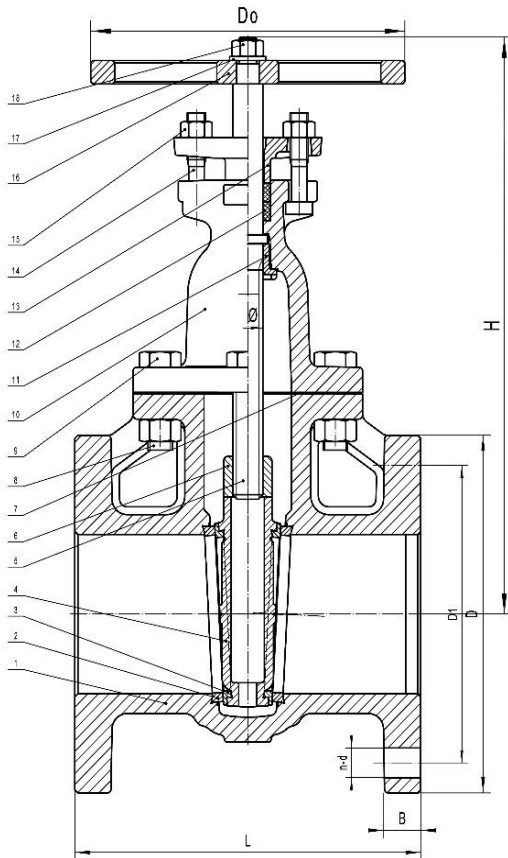
- Class 125
- Flanged Ends
- 200 WOG/125 SWP
- Bolted Bonnet
- Non-Rising Stem
- Solid Wedge
- IBBM

APPLICABLE STANDARDS

- Face to Face Dimension Conforms to ANSI B16.10
- Flanged Ends Conforms to ANSI B16.1
- Conforms to MSS SP-70
- Tested According to API 598
- Conforms to ISO 9001:2008

Materials of Construction

Item	Part	Material	ASTM
1	Body	Cast Iron	A126-B
2	Body Seat Ring	Cast Bronze	B62
3	Wedge Seat Ring	Cast Bronze	B62
4	Wedge	Cast Iron	A126-B
5	Stem	Brass	B16
6	Stem Nut	Cast Brass	Mn-Brass
7	Gasket	Graphite	Non-Asbestos
8	Bonnet Bolt	Steel	A307-B
9	Bonnet Nut	Steel	A563-B
10	Bonnet	Cast Iron	A126-B
11	Bonnet Bushing	Cast Brass	Mn-Brass
12	Packing Gland	Graphite	Non-Asbestos
13	Gland Follower	Ductile Iron	A536 60-40-18
14	Gland Bolt	Steel	A307-B
15	Gland Nut	Steel	A563-B
16	Handwheel	Cast Iron	A126-B
17	Washer	Steel	A283
18	Handwheel Nut	Steel	A563-B



Dimensions (Inches)

Size	L	D	D1	b	n-d	Do	H	Weight (lbs)
2"	7.00	6.00	4.76	0.63	4-.75	7.09	9.45	28.22
2-1/2"	7.50	7.00	5.50	0.69	4-.75	7.09	10.43	35.71
3"	8.00	7.50	6.00	0.75	4-.75	7.87	12.72	52.03
4"	9.00	9.00	7.50	0.94	8-.75	10.00	14.37	85.10
5"	10.00	10.00	8.50	0.94	8-.87	10.00	16.26	107.81
6"	10.50	11.00	9.50	1.00	8-.87	11.81	18.78	149.03
8"	11.50	13.50	11.75	1.13	8-.87	11.81	23.03	239.64
10"	13.00	16.00	14.25	1.19	12-1	13.78	27.95	373.09
12"	14.00	19.00	17.00	1.25	12-1	15.75	31.06	539.91

St. Louis

Midwest & Western U.S.

800-325-7820
Fax: 314-231-1821

Charlotte

Eastern U.S.

800-438-6946
Fax: 704-331-0646

Houston

South & Southwest U.S.

888-893-0399
Fax: 281-499-0508

servicemetal.net