



FEATURES

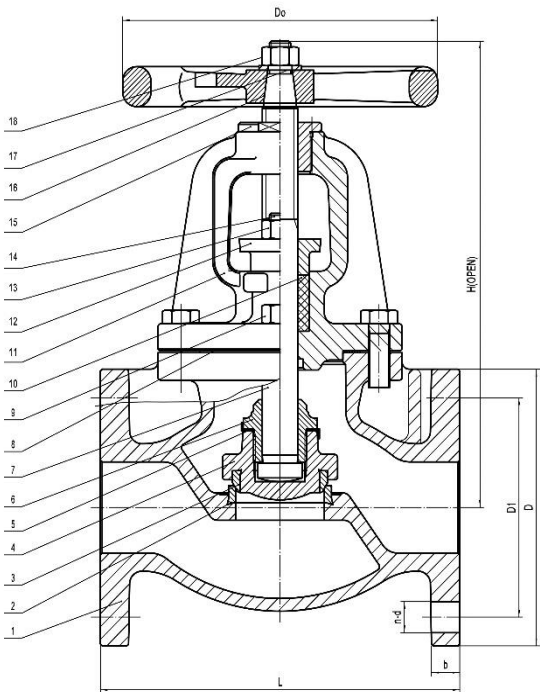
- Class 125
- Flanged Ends
- 200 WOG/125 SWP
- OS&Y
- Bolted Bonnet
- Rising Stem
- Solid Wedge
- IBBM

APPLICABLE STANDARDS

- Face to Face Dimension Conforms to ANSI B16.10
- Flanged Ends Conforms to ANSI B16.1
- Conforms to MSS SP-85
- Tested According to API 598
- Conforms to ISO 9001:2008

Materials of Construction

Item	Part	Material	ASTM
1	Body	Cast Iron	A126-B
2	Body Seat Ring	Cast Bronze	B62
3	Disc Seat Ring	Cast Bronze	B62
4	Disc	Cast Iron	A126-B
5	Washer	Stainless Steel	304
6	Disc Nut	Cast Brass	Mn-Brass
7	Stem	Brass	B16
8	Gasket	Graphite	Non-Asbestos
9	Bolt	Steel	A307-B
10	Packing	Graphite	Non-Asbestos
11	Bonnet	Cast Iron	A126-B
12	Packing Gland	Ductile Iron	A536 65-45-12
13	Gland Nut	Steel	A563-B
14	Gland Bolt	Steel	A307-B
15	Stem Nut	Cast Brass	Mn-Brass
16	Handwheel	Cast Iron	A126-B
17	Washer	Steel	A283
18	Nut	Steel	A563-B



Dimensions (Inches)

Size	L	D	D1	b	n-d	Do	H (Open)	Weight (lbs)
2"	8.00	6.00	4.80	0.60	4-.75	7.00	10.79	34.39
2-1/2"	8.50	7.00	5.50	0.70	4-.75	7.00	11.85	47.40
3"	9.50	7.50	6.00	0.80	4-.75	7.90	13.90	68.12
4"	11.50	9.00	7.50	0.90	8-.75	10.00	15.87	103.18
5"	13.00	10.00	8.50	0.90	8-.87	11.80	18.19	150.80
6"	14.00	11.00	9.50	1.00	8-.87	11.80	20.83	204.15
8"	19.50	13.50	11.80	1.10	8-.87	13.70	23.82	346.13
10"	24.50	16.00	14.30	1.20	12-1	15.80	25.20	504.20
12"	27.50	19.00	17.00	1.30	12-1	18.00	29.06	701.07

St. Louis

Midwest & Western U.S.

800-325-7820
Fax: 314-231-1821

Charlotte

Eastern U.S.

800-438-6946
Fax: 704-331-0646

Houston

South & Southwest U.S.

888-893-0399
Fax: 281-499-0508