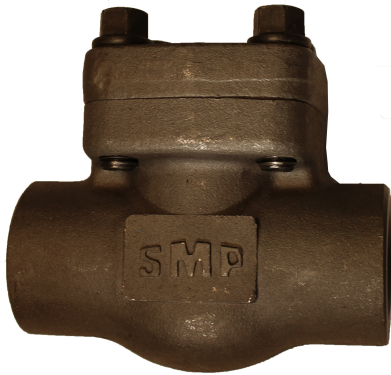


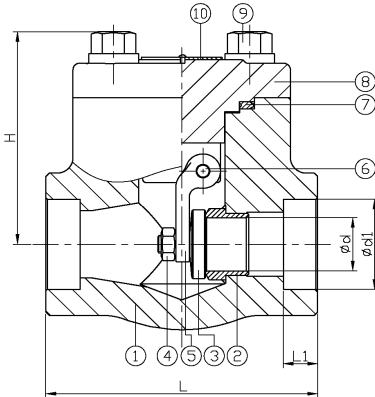


FORGED STEEL SWING CHECK VALVE

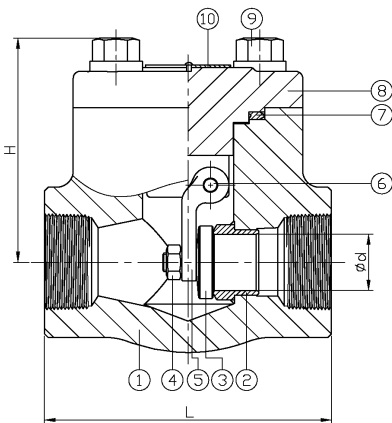
SM840CS/SM840CT



SM840CS -Socket Weld



SM840CT - Threaded



FEATURES

- Class 800
- Conventional Port
- Threaded Ends
- Socket Weld Ends
- Bolted Bonnet
- NACE MR-0175

APPLICABLE STANDARDS

- Basic Design API 602 & ASME B16.34
- Threaded ANSI B1.20.1
- Socket Weld ANSI 16.11
- Test and Inspection to API 598

Materials of Construction

Item	Part	Material Spec
1	Body	ASTM A105N
2	Seat Ring	ASTM A276-410 + Stellite
3	Disc	ASTM A276-420
4	Nut	ASTM A194-8
5	Hinge	ASTM A351-CF8
6	Pin	ASTM A276-316
7	Gasket	304 + Graphite
8	Bonnet	ASTM A105N
9	Bolt	ASTM A193-B7
10	Nameplate	Aluminum

SM840CS - Socket Weld Dimensions (Inches)

Size	d	d1	L	L1	H	Weight (lb)
1/4"	0.30	0.56	3.11	0.39	2.28	3.30
3/8"	0.39	0.69	3.11	0.39	2.28	3.30
1/2"	0.51	0.86	3.11	0.39	2.28	3.30
3/4"	0.51	1.07	3.62	0.51	2.28	3.70
1"	0.71	1.33	4.37	0.51	2.95	5.50
1-1/4"	0.94	1.68	4.72	0.51	3.27	8.00
1-1/2"	1.14	1.92	4.72	0.51	3.70	9.70
2"	1.44	2.41	5.51	0.65	4.21	14.10

SM840CT -Threaded Dimensions (Inches)

Size	d	L	H	Weight (lb)
1/4"	0.30	3.11	2.28	3.30
3/8"	0.39	3.11	2.28	3.30
1/2"	0.51	3.11	2.28	3.30
3/4"	0.51	3.62	2.28	3.70
1"	0.71	4.37	2.95	5.50
1-1/4"	0.94	4.72	3.27	8.00
1-1/2"	1.14	4.72	3.70	9.70
2"	1.44	5.51	4.21	14.10

St. Louis

Midwest & Western U.S.
800-325-7820
Fax: 314-231-1821

Charlotte

Eastern U.S.
800-438-9646
Fax: 704-331-0646

Houston

South & Southwest U.S.
888-893-0399
Fax: 281-499-0508

servicemetal.net