

Class 150 • Bolted Cover

Figure 370

Threaded Ends

Figure 374

Socket Weld Ends

Size Range:

½ through 2 inches

Design Features:

- Retained Gasket
- Integral Seat
- ASME B16.34

Industry Standards

Pipe Threads	ASME B2.1
Wall Section	ASME B16.34
Socket Weld Ends	ASME B16.11
End-to-End	Manufacturer's Standard
Pressure Temp. Ratings	ASME B16.34
Testing	API 598

Materials of Construction

1	Body	ASTM A351 CF3M
2	Cover	ASTM A351 CF8M
3	Disc	ASTM A351 CF8M
4	Hinge Arm	ASTM A351 CF8M
5	Hinge Pin	ASTM A276 T316
6	Disc Washer	ASTM A276 T304
7	Disc Nut	ASTM A194 GR 8
8	Plug	ASTM A276 T316
9	Gasket	PTFE
10	Plug Seal	PTFE
11	Cover Bolt	ASTM A193 GR B8
12	Cover Bolt Nut	ASTM A194 GR 8
13	ID Tag	ASTM A276 T304

Dimensions and Weights

Valve Size	Weight (lbs)	Dimensions (inches)		
		A	B	C*
½	3.5	3.35	2.4	38
¾	3.7	3.74	2.8	50
1	5.5	4.53	3.1	50
1½	8.6	4.92	4.1	50
2	10.3	5.91	4.6	62

* For Figure 374 only - socket weld depth

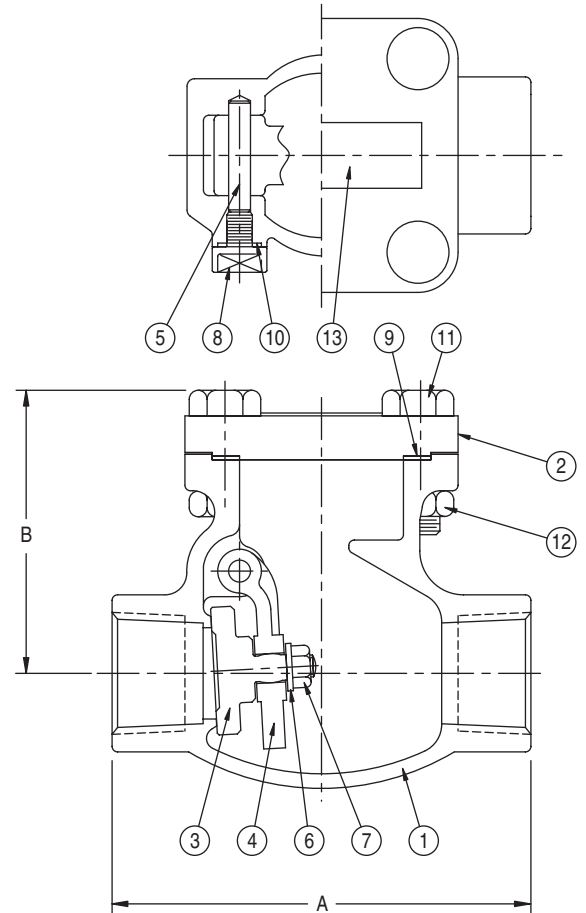


Fig. 370