

Class 150 • OS&Y • Solid Wedge Disc

Figure 110
Threaded Ends

Figure 114
Socket Weld Ends

Size Range:

½ through 2 inches

Design Features:

- Bolted Bonnet
- Rising Stem
- Integral Seat
- Retained Gasket
- MSS SP-42
- API 603 (except for end connections)

Industry Standards

Pipe Threads	ASME B1.20.1
Wall Section	ASME B16.34
Socket Weld Ends	ASME B16.11
End-to-End	Manufacturer's Standard
Pressure-Temp Rating	ASME B16.34
Testing	API 598

Materials of Construction

1	Body	ASTM A351 CF3M
2	Bonnet	ASTM A351 CF8M
3	Disc	ASTM A351 CF8M
4	Stem	ASTM A276 T316
5	Handwheel	ASTM A536
6	Gasket	PTFE
7	Gland Flange	ASTM A351 CF8
8	Gland	ASTM A276 T304
9	Packing	PTFE
10	Stem Nut	ASTM A536
11	Handwheel Nut	ASTM A276 T304
12	Bonnet Bolt Nut	ASTM A194 GR 8
13	Bonnet Bolt	ASTM A193 GR B8
14	Eyebolt Pin	ASTM A276 T304
15	Eyebolt	ASTM A193 GR B8
16	Eyebolt Nut	ASTM A194 GR 8
17	ID Tag	Aluminum
18	Washer	ASTM A536
19	Grease Fitting	304 SS
20	Set Screw	Steel

Dimensions and Weights

Valve Size	Weight (lbs)	Dimensions (inches)			
		A	B (open)	C	D*
½	6.8	2.76	8.1	3.9	.38
¾	7.2	3.15	8.5	3.9	.50
1	9.8	3.54	9.1	3.9	.50
1½	14.9	4.13	11.0	5.5	.50
2	20.1	4.72	12.6	6.3	.62

*For Figure 114 only - Socket weld depth

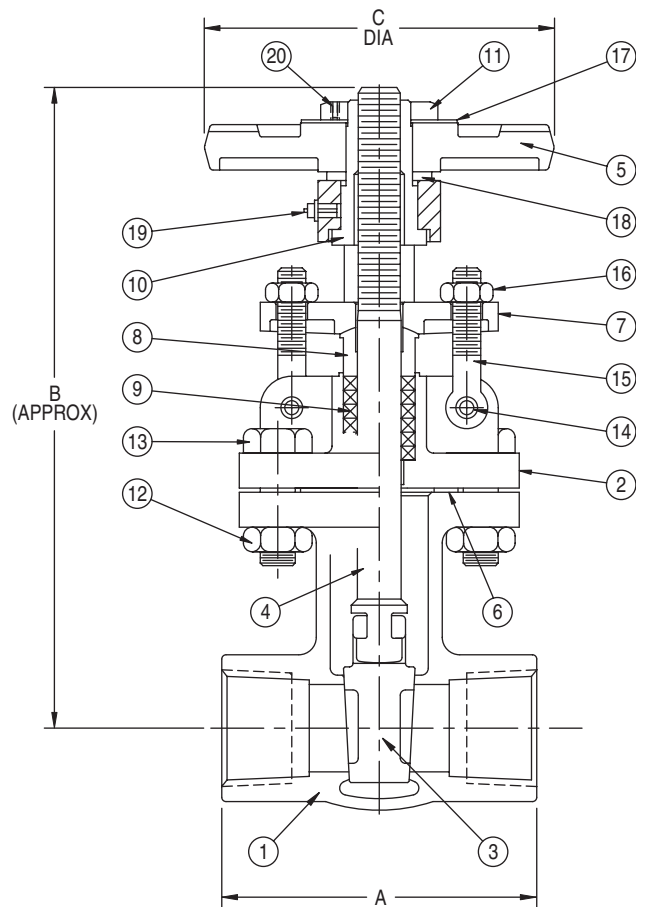


Fig. 110