

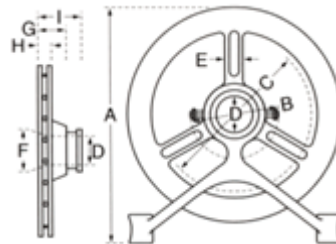
The Best Products, The Best Service...

SERVICE METAL

ONE CALL GETS IT ALL



Babbitt Chainwheels TECHNICAL DATA Inches (cm)



SELECTION OF CHAIN OPERATORS

VALVE HANDWHEEL OUTSIDE DIAMETER RANGE, OUTSIDE IN (CM)	CHAIN OPERATOR NUMBER	WHEEL RIM OUTSIDE DIAMETER IN (CM)	USES CHAIN TRADE SIZE	WEIGHT/100FT LBS (KG)
2 to 4 (5.1-10.2)	0	4 (10.2)	2	10 (4.5)
4¼ to 5¾ (10.8-14.6)	1	5¾ (14.6)	1/0	17½ (7.9)
6 to 7½ (15.2-19.1)	1½	7½ (19.1)	1/0	17½ (7.9)
7¾ to 9 (19.7-22.9)	2	9 (22.9)	1/0	17½ (7.9)
9¼ to 12½ (23.5-31.8)	2½	12 (30.5)	4/0	30 (13.6)
12¾ to 15½ (32.4-39.4)	3	15½ (39.4)	4/0	30 (13.6)
15¾ to 19 (40.0-48.3)	3½	18½ (46.9)	4/0	30 (13.6)
19¼ to 22 (48.9-55.9)	4	21½ (54.6)	5/0	35 (15.9)
22¼ to 26 (56.5-66.0)	4½	25¾ (65.4)	5/0	35 (15.9)
26¼ to 30 (66.7-76.2)	5	30 (76.2)	5/0	35 (15.9)
30 to 36 (76.2-91.4)	5**	30 (76.2)	5/0	35 (15.9)

****Special attachment clamps for 5 wheel will accommodate up to 36" valve handwheel.**

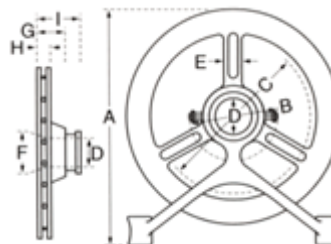
CHAINWHEEL DIMENSIONS

WHEEL SIZE #	0	1	1½	2	2½	3	3½	4	4½	5
A - Overall Height IN (CM)	4⅝ (11.75)	6⅜ (16.19)	7¾ (19.69)	10½ (26.67)	12½ (31.75)	15½ (39.37)	18½ (46.99)	21½ (54.61)	25¾ (65.41)	30¼ (76.84)
B - Inner Bolt Circle	1½ (3.81)	2½ (6.35)	3½ (8.89)	4½ (11.43)	5½ (13.77)	8½ (21.59)	11½ (29.21)	11½ (29.21)	14½ (36.83)	18¾ (47.63)
C - Outer Bolt Circle	1⅞ (4.76)	3½ (8.89)	5 (12.7)	6⅝ (16.83)	9¼ (23.50)	12⅜ (31.43)	15½ (39.37)	17¾ (45.08)	21¼ (53.98)	25¼ (65.14)
D - Hub Opening (DIAM)	½ (1.27)	⅞ (2.22)	1 (2.54)	2⅛ (5.34)	2⅛ (5.34)	2⅛ (5.34)	3 (7.62)	3 (7.62)	3 (7.62)	3 (7.62)
E - Slot Size (WIDTH)	1-5/16 (7.94)	⅜ (9.525)	⅜ (9.525)	⅜ (9.525)	7/16 (11.116)	7/16 (11.116)	7/16 (11.116)	⅝ (15.875)	⅝ (15.875)	⅝ (15.875)
F - Rear Opening	¾ (1.91)	1½ (3.81)	1⅞ (4.763)	3⅛ (7.94)	3½ (8.89)	3½ (8.89)	4⅞ (12.38)	4⅞ (12.39)	4⅝ (11.75)	4¾ (12.07)
G - Hub Depth (SHOULDER TO REAR)	1⅞ (2.86)	1½ (3.81)	1-7/16 (3.65)	1⅜ (3.49)	1¾ (4.45)	1⅞ (4.76)	1⅞ (4.76)	1⅞ (4.76)	1⅞ (4.76)	2 (5.08)
H - Rim Thickness	⅞ (2.22)	1⅞ (2.86)	1⅞ (2.86)	1⅞ (2.86)	1¼ (3.18)	1¼ (3.18)	1¼ (3.18)	1½ (3.81)	1½ (3.81)	1½ (3.81)
I - Overall Depth	1¾ (4.45)	2¼ (5.72)	2⅜ (6.03)	2⅜ (6.03)	2⅝ (6.67)	2⅝ (6.67)	3⅞ (7.94)	3⅞ (7.94)	3⅞ (7.94)	3⅞ (7.94)

All dimensions are in IN (CM)



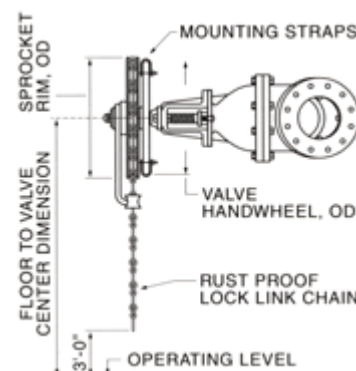
Babbitt Chainwheels TECHNICAL DATA Inches (cm)



Continued – Page 2

HAMMER-BLOW SPECIFICATIONS

SIZE#	WEIGHT COMBINED ASSEMBLY LBS(KG)	DIAMETER OF VALVE WHEELS ASSEMBLY WILL FIT IN (CM)
2	14 (6.4)	7¾ to 9 (19.7-22.9)
2½	21 (9.5)	9¼ to 12½ (23.5-31.8)
3	31 (14.1)	12¾ to 15½ (32.4-39.4)
3½	43 (19.5)	15¾ to 19 (40.0-48.3)
4	58 (26.3)	19¼ to 22 (48.9-55.9)
4½	70 (31.7)	22¼ to 26 (56.5-66.0)
5	118 (53.5)	26¼ to 30 (66.7-76.2)
5½	118 (53.5)	30 to 36 (76.2-91.4)



**Chainwheel shall be made of (cast iron/ductile iron/aluminum/bronze). Rim shall contain as an integral part of the casting a groove into which the chain guide attaches. Chain guides shall be made of (ductile iron/aluminum/bronze). Chainwheels shall be adjustable and detachable, furnished complete with (steel/stainless steel) attachments sets for attachment of chainwheel to valve handwheel. Units shall be coated with (black enamel, galvanizing, "Teflon", epoxy) to meet manufacturer's specifications.*