

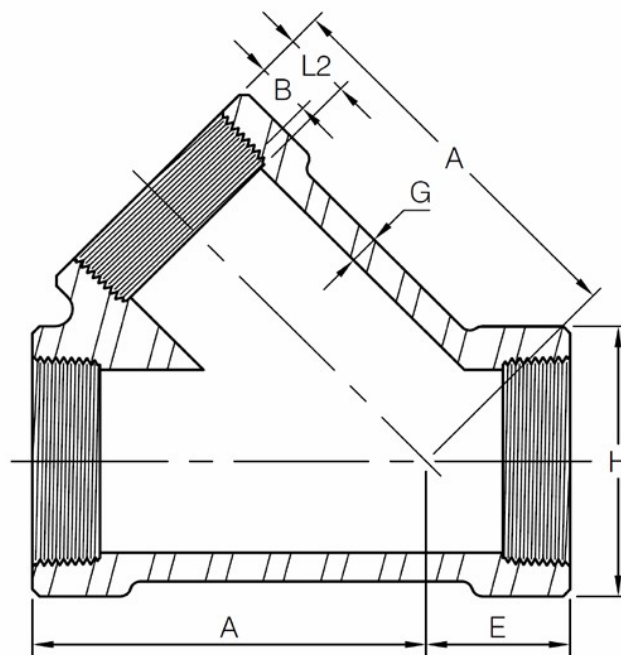
The Best Products, The Best Service...

SERVICE METAL

ONE CALL GETS IT ALL



Threaded Lateral 3000# Forged Steel Inches / Pounds



Size	A	B	E	G	H	L2	Approximate Weight (in Pounds)
1/2	1.81	.43	.79	.13	1.3	.54	.95
3/4	2.17	.50	.91	.13	1.5	.55	1.51
1	2.56	.58	1.02	.14	1.81	.68	2.21
1 1/4	2.87	.67	1.22	.15	2.20	.71	3.40
1 1/2	3.23	.70	1.38	.16	2.44	.72	4.72
2	4.45	.75	1.65	.17	2.95	.76	9.41

**ASTM SA-105, ANSI B16.11*