

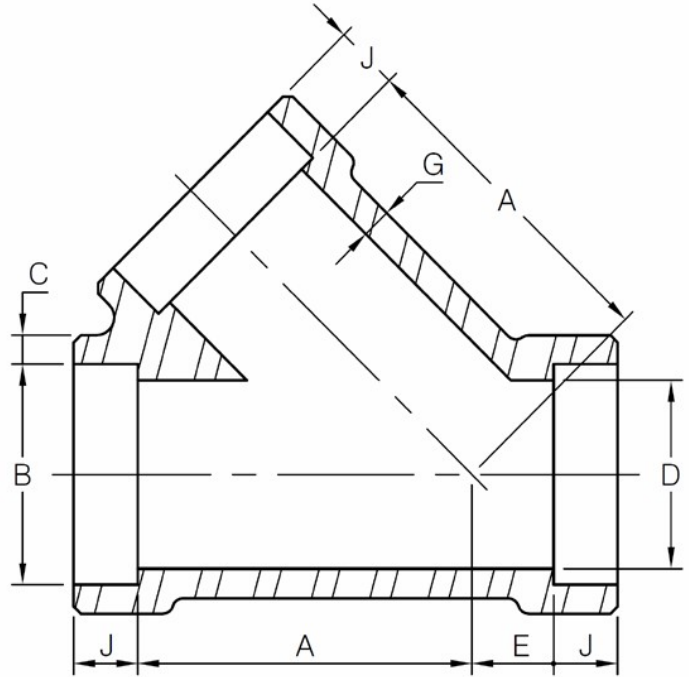
The Best Products, The Best Service...

**SERVICE METAL**

ONE CALL GETS IT ALL



Socket Weld Lateral  
**3000# Forged Steel**  
 Inches / Pounds



Size	A	B	C	D	E	G	J	Approximate Weight (in Pounds)
1/2	1.38	.86	.18	.62	.35	.15	.37	.94
3/4	1.61	1.07	.19	.83	.35	.16	.49	1.47
1	2.01	1.33	.22	1.05	.47	.18	.49	2.23
1 1/4	2.32	1.68	.24	1.38	.67	.19	.49	3.31
1 1/2	2.68	1.92	.25	1.61	.83	.20	.49	4.89
2	3.74	2.41	.27	2.07	.94	.22	.63	9.68

*\*ASTM SA-105, ANSI B16.11*