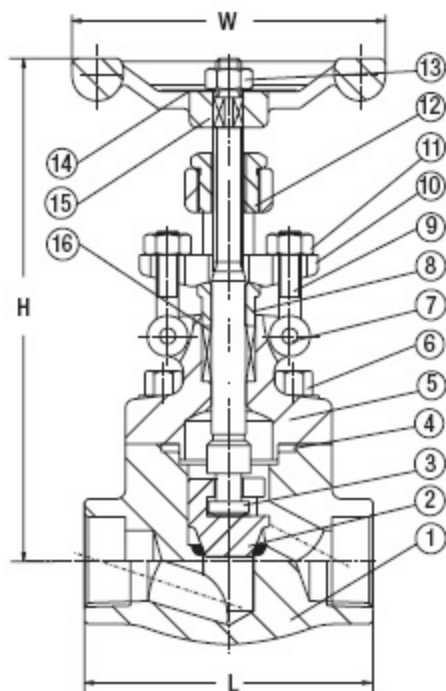


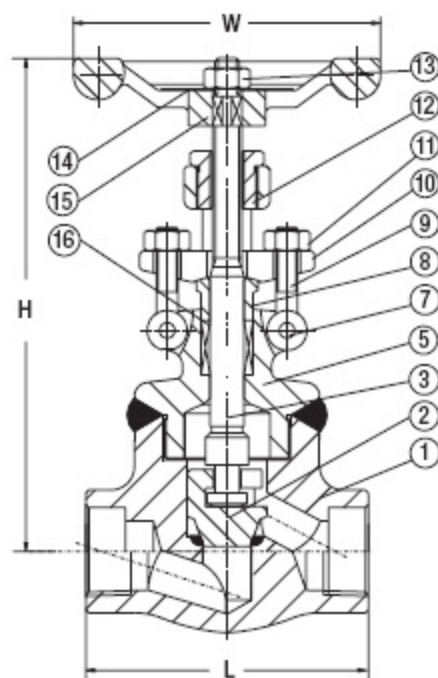
# Forged Steel Globe Valve 800 lb

**Bolted  
Bonnet**



**F802T (Threaded)  
F802SW (Socket Weld)**

**Welded  
Bonnet**



**F802T-WB (Threaded)  
F802SW-WB (Socket Weld)**

Material Specifications		ASTM	ASTM	ASTM	ASTM
NO.	Part Name	Type A105	Type F22	Type F304(L)	Type F316(L)
1	Body	A105	A182 F22	A182 F304(L)	A182 F316(L)
2	Disc	A276 420	A276 304	A276 304(L)	A276 316(L)
3	Stem	A182 F6	A182 F304	A182 F304(L)	A182 F316(L)
4	Gasket	Corrugated SS + Graphite	Corrugated SS + Graphite	SS+PTFE	SS+PTFE
5	Bonnet	A105	A276 304	A276 304(L)	A276 316(L)
6	Bonnet Bolt	A193 B7	A193 B16	A193 B8	A193 B8M
7	Pin	A276 420	A276 420	A276 304	A276 304
8	Gland	A276 410	A276 410	A182 F304(L)	A182 F316(L)
9	Gland Eyebolt	A193 B7	A193 B16	A193 B8	A193 B8M
10	Gland Flange	A216 WCB	A216 WCB	A351 CF8	A351 CF8
11	Gland Nut	A194 2H	A194 4	A194 8	A194 8M
12	Yoke Nut	A276 410	A276 410	A276 410	A276 410
13	H.W. Nut	A194 2H	A194 4	A194 8	A194 8M
14	Nameplate	SS	SS	SS	SS
15	Handwheel	A197	A197	A197	A197
16	Stem Packing	Flexible Graphite	Flexible Graphite	PTFE	PTFE
	Suitable Medium	W.O.G. etc.	W.O.G. etc.	HNO <sub>3</sub> , CH <sub>3</sub> OOH etc	HNO <sub>3</sub> , CH <sub>3</sub> OOH etc
	Suitable Temperature	-29°C~425°C	-29°C~550°C	-29°C~180°C	-29°C~180°C

Note: Other materials are available upon request.

## Dimensions (in) and Weights (lb)

NPS	Conv.	1/2	3/4	1	1-1/4	1-1/2	2
L		3.00	3.15	4.00	4.50	5.75	6.25
H (OPEN)		6.00	6.25	7.75	8.50	9.25	11.00
W		4.00	4.00	5.00	6.25	6.25	7.00
	Bolted	4.19	4.63	7.72	13.23	16.54	25.14
Weights	Welded	3.75	4.19	7.28	11.47	14.99	23.37