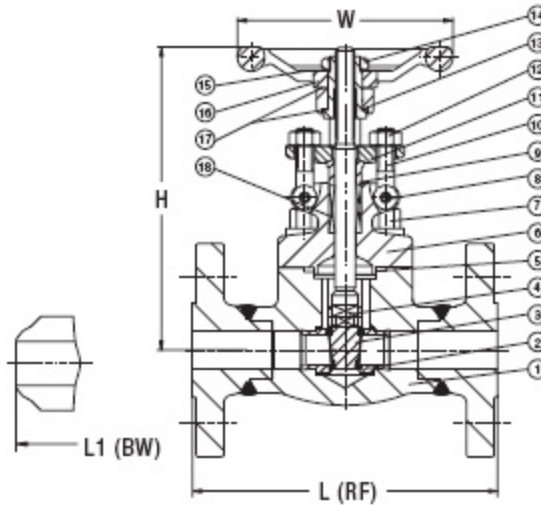


150-600 lb Flanged End Gate Valves

Conventional Port

F 15 F (150 lb)
F 30 F (300 lb)
F 60 F (600 lb)



Full Port

F 17 F (150 lb)
F 37 F (300 lb)
F 67 F (600 lb)

Integral Flanges Available

Material Specifications		ASTM	ASTM	ASTM	ASTM
NO.	Part Name	Type A105	Type F22	Type F304(L)	Type F316(L)
1	Body	A105	A182 F22	A182 F304(L)	A182 F316(L)
2	Seat Ring	A276 420	A276 304	A276 304(L)	A276 316(L)
3	Wedge	A276 430 & 410	A182 F304	A182 F304(L)	A182 F316(L)
4	Stem	A182 F6	A182 F304	A182 F304(L)	A182 F316(L)
5	Gasket	Corrugated SS + Graphite	Corrugated SS + Graphite	SS+PTFE	SS+PTFE
6	Bonnet	A105	A182 F22	A182 F304(L)	A182 F316(L)
7	Bonnet Bolt	A193 B7	A193 B16	A193 B8	A193 B8M
8	Pin	A276 420	A276 420	A182 F304	A182 F304
9	Gland	A276 410	A276 410	A182 F304(L)	A182 F316(L)
10	Gland Eyebolt	A193 B7	A193 B16	A193 B8	A193 B8M
11	Gland Flange	A105	A182 F11	A182 F304(L)	A182 F316(L)
12	Gland Nut	A194 2H	A1944	A1948	A1948M
13	Yoke Nut	A276 410	A276 410	A276 410	A276 410
14	H.W. Lock Nut	A194 2H	A1944	A1948	A1948M
15	Nameplate	SS	SS	SS	SS
16	Handwheel	A197	A197	A197	A197
17	Bearing Gasket	A473 431	A473 431	A473 431	A473 431
18	Stem Packing	Flexible Graphite	Flexible Graphite	PTFE	PTFE
	Suitable Medium	W.O.G. etc.	W.O.G. etc.	HNO ₃ , CH ₃ OOH etc	HNO ₃ , CH ₃ OOH etc
	Suitable Temperature	-29°C~425°C	-29°C~550°C	-29°C~180°C	-29°C~180°C

Note: Other materials are available upon request.

Dimensions (in) and Weights (lb)

NPS		1/2	3/4	1	1-1/4	1-1/2	2	
L(RF) L1(BW)	150	4.25	4.61	5.00	5.51	6.50	7.99	
	300	5.51	5.98	6.50	7.01	7.48	8.50	
	600	6.50	7.48	8.50	9.02	9.49	11.50	
H(OPEN)	150, 300	6.22	6.65	7.76	9.29	9.69	11.14	
	600	6.65	7.76	9.29	9.69	11.14	12.60	
W		3.94	3.94	4.92	6.30	6.30	7.09	
Weights	150	RF	9.92	11.47	18.08	25.36	27.56	44.76
		BW	6.17	7.28	11.91	15.66	18.08	27.56
	300	RF	10.58	13.67	20.51	30.87	34.18	51.60
		BW	7.72	9.70	14.99	17.86	20.29	33.96
	600	RF	13.01	16.32	22.93	35.72	38.59	62.40
		BW	9.92	11.25	18.08	23.15	27.34	44.32