

The Best Products, The Best Service...

# SERVICE METAL

ONE CALL GETS IT ALL

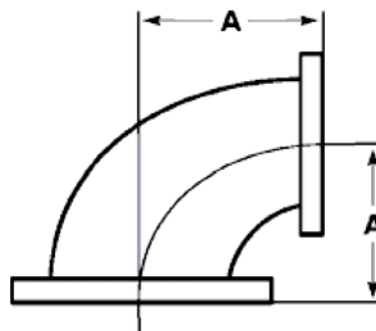


Flanged Reducing 90° Elbow

**125# Cast Iron**

**150# Ductile Iron**

Inches / Pounds



Size	A	Approximate Weight (in Pounds)
3 x 1-1/2	5.50	18
3 x 2	5.50	21
3 x 2-1/2	5.50	23
4 x 2	6.50	30
4 x 2-1/2	6.50	31
4 x 3	6.50	33
5 x 2	7.50	41
5 x 2-1/2	7.50	42
5 x 3	7.50	40
5 x 4	7.50	48
6 x 2	8.00	52
6 x 3	8.00	56
6 x 4	8.00	58
6 x 5	8.00	66
8 x 4	9.00	85
8 x 5	9.00	91
8 x 6	9.00	89
10 x 4	11.00	120
10 x 6	11.00	125
10 x 8	11.00	150
12 x 6	12.00	165
12 x 8	12.00	190
12 x 10	12.00	220
14 x 12	14.00	285
16 x 12	15.00	310

*\*Sizes up to 6" are Ductile Iron, Meet ASTM A395, ANSI/AWWA C110/A21.10, ANSI B16.42*

*\*Sizes 8" and Larger are Cast Iron, Meet ASTM A126, ANSI/AWWA C110/A21.10, ANSI B16.1*

*\*All Fittings are Asphalt Coated as Standard, Hot Dip Galvanizing Available*