

TITAN

WYE STRAINER • FLAT FACED, FLANGED ENDS

Class 125 lb • CAST IRON



2 1/2" YS 58-CI

Model: YS 58-CI

**Cast Iron • ANSI Class 125 lb
Size Range: 2" ~ 24"**

WORKING PRESSURES & TEMPERATURE - NON-SHOCK

ANSI 125 lb Class	YS 58-CI: 2" ~ 12"	YS 58-CI: 14" ~ 24"
WOG (Water, Oil, Gas)	200 PSI @ 150 °F	150 PSI @ 150 °F
Saturated Steam	125 PSI @ 353 °F	100 PSI @ 353 °F
MAX Liquid	125 PSI @ 450 °F	100 PSI @ 353 °F

Features:

- STRAINER IS SELF CLEANING WHEN FITTED WITH A BLOW-DOWN VALVE
- PRECISION MACHINED SCREEN SEAT ENABLES FINE FILTRATIONS
- TAPPED NPT BLOW-OFF
- DRAIN/BLOW-OFF CONNECTION FURNISHED WITH PLUG STANDARD
- OPTIONAL COVER DESIGNS (SWING, CLAMP, HINGE TYPE)
- EPOXY PAINTING IS STANDARD ON ALL CAST IRON UNITS
- STRAINER HAS LARGE OPEN AREA - MINIMUM 2.5 TIMES LARGER THAN CORRESPONDING PIPE
- INLET AND OUTLET BOSSES ARE PROVIDED FOR GAUGE TAPPING
(PLEASE SPECIFY GAUGE TAPPING WHEN REQUIRED)
- BODY MEETS APPLICABLE ASTM STANDARDS
- BOLTED COVER FLANGE ALLOWS EASY REMOVAL OF SCREEN FOR CLEANING
ALSO HELPS TO ENSURE PROPER ALIGNMENT OF SCREEN DURING REASSEMBLY
- MILITARY SPECIFICATIONS WITH BRONZE BLOW-OFF PLUG

***Economical Design that is Ideal for HVAC, Commercial
and Industrial Applications***

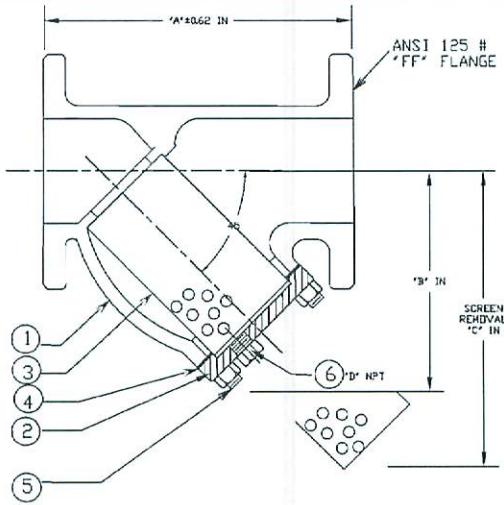
Titan Flow Control, Inc.



TITAN FLOW CONTROL
LUMBERTON, NC USA

WYE STRAINER
MODEL: YS 58-CI
CAST IRON • FLANGED - FLAT FACED

ANSI Class 125 lb



BILL OF MATERIALS		
No.	PART	YS 58-CI
1	Body	Cast Iron ASTM A126 Gr. B
2	Cover	Cast Iron ASTM A126 Gr. B
3	Screen*	Type 304 Stainless Steel
4	Gasket*	Non-Asbestos
5	Cap Screws	Steel
7	Plug	Steel

*Recommended spare parts

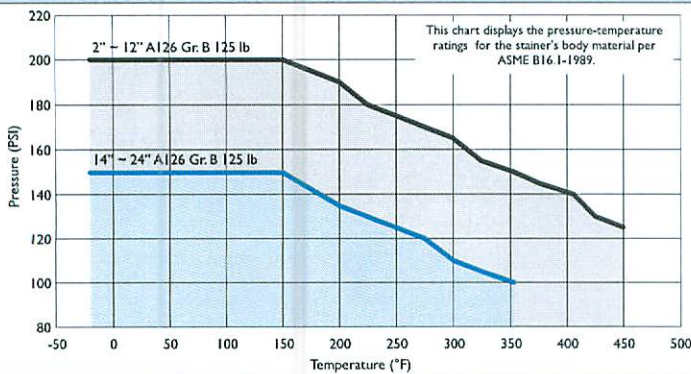
Notes:

- Type 2 Style
- Meets Mil Spec WW-S-2739 when furnished with Bronze Blow-off Plug
- Optional wire mesh and perforated screens are available.

DIMENSIONS:

SIZE	in	2	2 1/2	3	4	5	6	8	10	12	14	16	18	20	24
	mm	50	65	80	100	125	150	200	250	300	350	400	450	500	600
A DIMENSION FACE TO FACE	in	7.875	10.0	10.125	12.125	15.625	18.5	21.625	25.75	29.875	33.25	38.75	43.125	C/F	C/F
	mm	201	254	258	308	397	470	550	655	759	845	985	1096	C/F	C/F
B DIMENSION CTR. LINE - BOTTOM	in	5.25	6.5	7.0	8.25	11.25	13.5	15.5	18.5	21.75	25.0	26.5	31.0	C/F	C/F
	mm	134	166	178	210	286	343	394	470	553	635	674	788	C/F	C/F
C DIMENSION SCREEN REMOVAL	in	7.0	9.75	10.0	12.0	17.0	20.0	22.75	28.0	30.0	36.5	42.0	45.5	C/F	C/F
	mm	178	248	254	305	432	508	578	712	762	928	1067	1156	C/F	C/F
D DIMENSION NPT BLOW-OFF	in	.5	1	1	1.5	2	2	2	2	2	2	2	2	C/F	C/F
	mm	15	25	25	40	50	50	50	50	50	50	50	50	C/F	C/F
ASSEMBLED WEIGHT	lb	20.0	33.0	37.0	70.0	105.0	155.0	245.0	381.0	623.0	818.0	1421.0	1582.0	C/F	C/F
	kg	9.1	15.0	16.8	31.7	47.6	70.2	111.0	172.6	282.3	370.6	643.9	716.8	C/F	C/F
Flow Coefficient	C _v	70	110	160	260	400	570	950	1600	2200	3300	4900	6100	C/F	C/F

PRESSURE-TEMPERATURE: Cast Iron ASTM A126 Gr. B Class 125 lb



WORKING PRESSURES & TEMPERATURE - NON-SHOCK

ANSI 125 lb Class	YS 58-CI (2" ~ 12")	YS 58-CI (14" ~ 24")
WOG (Water, Oil, Gas)	200 PSI @ 150 °F	150 PSI @ 150 °F
Saturated Steam	125 PSI @ 353 °F	100 PSI @ 353 °F
Max Liquid	125 PSI @ 450 °F	100 PSI @ 353 °F

STANDARD SCREEN SELECTIONS

Sizes	Water Service	Open Area	Steam	Open Area
2" ~ 4"	0.062 (1/16)	41%	0.045 (3/64)	36%
5" ~ 10"	0.125 (1/8)	40%	0.045 (3/64)	36%
12" ~ 18"	0.125 (1/8)	40%	30 Mesh	44%

REFERENCED STANDARDS

End Flanges	ANSI B16.1
Shell Wall Thickness	ANSI B16.1
Pressure vs. Temp. Rating	ANSI B16.1

TESTING:

Strainers are individually, hydrostatically tested at 1.5 x the 100 °F rating, rounded off to the next higher 25 PSI measurement.

Ordering Code: _____ Size: _____
 Customer/Project: _____
 Inq./P.O. No.: _____
 Titan Order No.: _____
 Certified By: _____ Date: _____

Engineering Specification Submittal

Titan FCI makes every effort to ensure the information presented on our literature accurately reflects exact product specifications. However, as changes occur, there may short-term differences between actual product specifications and the data on our literature. Titan FCI reserves the right to make specification changes to improve our products without prior notification.

WYE STRAINER • YS 58-CI

Size	Model Number	Description	Drawing No.