

TITAN**WYE STRAINER • THREADED ENDS****Class 250 lb • CAST IRON BODY****2" YS 12-CI****Model: YS 12-CI**

ANSI Class 250 lb
Size Range: 1/4" ~ 3"

WORKING PRESSURES & TEMPERATURE - NON-SHOCK

ANSI 250 lb Class	Model: YS 12-CI
WOG (Water, Oil, Gas)	400 PSI @ 150 °F
Saturated Steam	250 PSI @ 406 °F
MAX Liquid	250 PSI @ 450 °F

Features:

- SELF CLEANING TYPE
- EASILY REMOVABLE GASKETED SCREEN CAPS
- STRAIGHT THREADS ON CAP PERMIT EASY REMOVAL WHEN SCREEN MUST BE CLEANED
ALSO HELPS TO ASSURE PROPER ALIGNMENT OF THE SCREEN DURING REASSEMBLY
- PRECISION MACHINED SEATS IN BOTH THE BODY AND CAP - ENABLES FINE FILTRATIONS
- TAPPED NPT BLOW-OFF
- DRAIN/BLOW-OFF CONNECTION IS FURNISHED WITH PLUG AS STANDARD
- EPOXY COATING IS STANDARD
- HEX ENDS ALLOW FOR EASY INSTALLATION
- MEETS MILITARY SPECIFICATIONS WITH BRONZE BLOW-OFF PLUG
- STRAINER HAS LARGE OPEN AREA MINIMUM 2.5 TIMES LARGER
HELPS TO ENSURES LOW PRESSURE LOSS
- LARGE VARIETY OF PERFORATED AND MESH LINED SCREENS AVAILABLE

***Economical Design that is Ideal for HVAC,
 Commercial, and Industrial Applications***

Titan Flow Control, Inc.



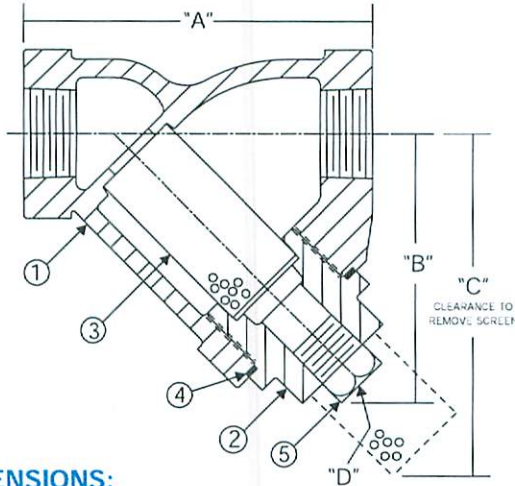
TITAN FLOW CONTROL

WYE STRAINER

MODEL: YS 12-CI

Cast Iron • Threaded Ends • Gasketed Cap

ANSI Class 250 lb



BILL OF MATERIALS		
No.	PART	YS 12-CI
1	Body	ASTM A126 Gr. B Cast Iron
2	Cap	ASTM A126 Gr. B Cast Iron
3	Screen*	Type 304 Stainless Steel
4	Gasket*	Garlock 3200 Non-Asbestos
5	Plug	Steel

*Recommended spare parts

Notes:

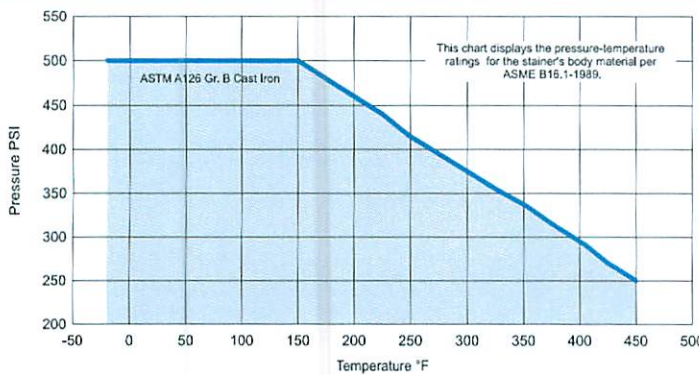
- Type 1 - Style meets Mil Spec WW-S-2739 when furnished with bronze blow-off plug.
- Designed in Accordance with ASME B16.4.
- All units are epoxy painted as standard.
- Type 316 Stainless Steel screens are also available. Consult factory.

DIMENSIONS:

SIZE	in	1/4	3/8	1/2	3/4	1	1 1/4	1 1/2	2	2 1/2	3
	mm	8	10	15	20	25	32	40	50	65	80
A DIMENSION FACE TO FACE	in	3.188	3.188	3.188	3.75	4.0	5.0	5.75	7.0	9.25	10.0
	mm	81	81	81	95	102	127	146	178	235	254
B DIMENSION CTR. LINE - BOTTOM	in	2.063	2.063	2.063	2.438	2.625	3.375	3.875	4.75	5.875	6.0
	mm	52	52	52	62	67	86	98	121	149	152
C DIMENSION SCREEN REMOVAL	in	2.375	2.375	2.375	3.0	3.25	4.25	5.0	6.125	7.875	8.0
	mm	60	60	60	76	83	108	127	156	200	203
D DIMENSION NPT BLOW-OFF	in	1/4	1/4	1/4	3/8	3/8	3/4	3/4	1	1 1/2	1 1/2
	mm	15	15	15	20	20	32	32	40	65	65
ASSEMBLED WEIGHT	lb	1.5	1.5	1.5	2.5	3.5	5.0	9.0	14.0	25.5	32.0
	kg	0.7	0.7	0.7	1.1	1.6	2.3	4.1	6.3	11.6	14.5
Flow Coefficient	C _v	0.7	2	8	15	22	38	42	70	110	160

Dimensions and weights are for reference only. When required, request certified drawing.

PRESSURE-TEMP: ASTM A126 Gr. B ANSI CLASS 250 LB



WORKING PRESSURES & TEMPERATURE - NON-SHOCK

ANSI 250 lb Class	YS 12-CI
WOG (Water, Oil, Gas)	500 PSI @ 150 °F
Saturated Steam	250 PSI @ 406 °F
Max Liquid	250 PSI @ 450 °F

STANDARD SCREEN SELECTIONS

Sizes	Water Service	Open Area	Steam	Open Area
1/4" - 2"	20 mesh	52%	30 mesh	41%
2 1/2" - 3"	.0625 (1/16)	37%	.045 (3/64)	36%

A wide range of wire mesh and perforated screens are available. C/F.

REFERENCED STANDARDS

Design	ANSI B16.4
Shell Wall Thickness	ANSI B16.4
Pressure vs. Temp. Rating	ANSI B16.4

TESTING: Strainers are individually, hydrostatically tested at 1.5 x the 100 °F rating, rounded off to the next higher 25 PSI measurement.

Ordering Code: _____ Size: _____
 Customer/Project: _____
 Inq./P.O. No.: _____
 Titan Order No.: _____
 Certified By: _____ Date: _____

Engineering Specification Submittal

Titan FCI makes every effort to ensure the information presented on our literature accurately reflects exact product specifications. However, as changes occur, there may short-term differences between actual product specifications and the data on our literature. Titan FCI reserves the right to make specification changes to improve our products without prior notification.

WYE STRAINER - CAST IRON - THREADED ENDS • YS 12-CI

Size	Model Number	Description	Drawing No.