

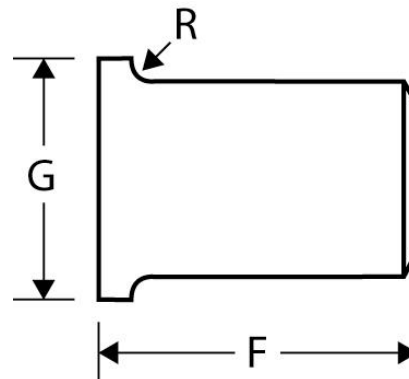
The Best Products, The Best Service...

SERVICE METAL

ONE CALL GETS IT ALL



Lap Joint Stub Ends STANDARD WEIGHT Inches / Pounds



Nominal Pipe Size	Outside Diameter	Inside Diameter	Wall and Lap Thickness	Lap Diameter (G)	Fillet Radius (R)	Overall Length (F)	Pipe Schedule	Approximate Weight (in Pounds)
1/2	.84	.622	.109	1.38	.12	3	40	.30
3/4	1.05	.824	.113	1.07	.12	3	40	.40
1	1.32	1.05	.133	2.00	.12	4	40	.75
1 1/4	1.66	1.38	.140	2.50	.19	4	40	1.1
1 1/2	1.90	1.61	.145	2.88	.25	4	40	1.25
2	2.38	2.07	.154	3.63	.31	6	40	2.25
2 1/2	2.88	2.45	.203	4.13	.31	6	40	3.5
3	3.50	3.07	.216	5.00	.38	6	40	4.75
3 1/2	4.00	3.55	.226	5.50	.38	6	40	6
4	4.50	4.03	.237	6.12	.44	6	40	7.25
5	5.56	5.05	.258	7.31	.44	8	40	12
6	6.63	6.07	.280	8.50	.50	8	40	16
8	8.63	7.98	.322	10.63	.50	8	40	23
10	10.75	10.02	.365	12.75	.50	10	40	36
12	12.75	12.00	.375	15.00	.50	10	40	47
14	14.00	13.25	.375	16.25	.50	12	40	64
16	16.00	15.25	.375	18.50	.50	12	40	74
18	18.00	17.25	.375	21.00	.50	12	40	85
20	20.00	19.25	.375	23.00	.50	12	40	95
24	24.00	23.25	.375	27.25	.50	12	ST*	116

* ST* designates Standard Weight (standard wall). This size and thickness does not correspond to any pipe schedule number.

* Dimensions conform to ASME B16.9 & material conforms to ASTM SA-234 Grade B.