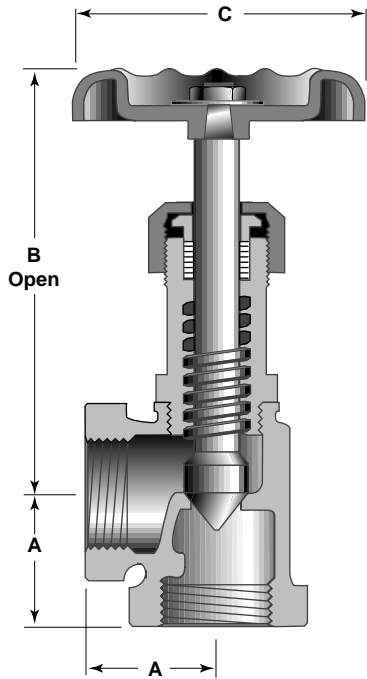


Class 200 • Needle Type Seating • Threaded Ends



Features

- Rising Stem
- Screwed Bonnet
- Integral Seat
- Graphite Packing
- MSS Specification SP-80

For more detailed features, refer to page 34.

Figure 89

Angle Valve

Size Range:

1/8" through 3/4"

Working Pressures Non-Shock:

200 psi Steam, Basic Rating

400 psi Cold Working Pressure

Principal Parts & Materials

Part	Size	Material	ASTM
Body	All	Bronze	B62 C83600
Bonnet	1/8"–3/8"	Bronze	B150 C64200
Bonnet	1/2"–3/4"	Brass	B16 H02
Stem	All	Bronze	B150 C64200

Dimensions and Weights

Inches (millimeters) - pounds (kilograms)

	1/8 (3)	1/4 (6)	3/8 (10)	1/2 (15)	3/4 (20)
A	0.58 (15)	0.78 (20)	0.91 (23)	1.06 (27)	1.23 (31)
B	2.85 (73)	2.88 (73)	3.06 (78)	3.56 (91)	4.20 (106)
C	1.75 (44)	1.75 (44)	1.75 (44)	2.06 (52)	2.50 (64)
WTS.	0.23 (0.11)	0.30 (0.14)	0.50 (0.22)	0.60 (0.27)	0.96 (0.44)