

Cast Steel Globe Valves



Figure 60-GPF-U

Class 600 • Outside Screw & Yoke • Bolted Bonnet

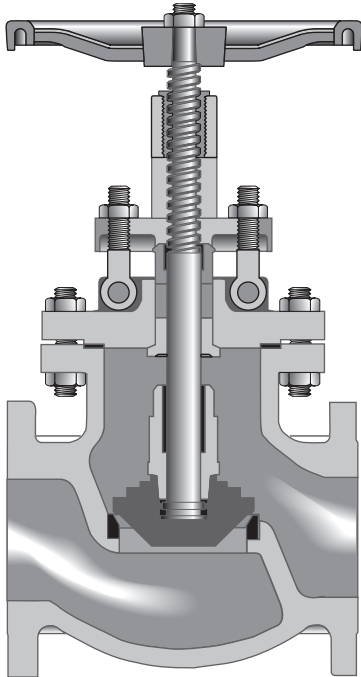


Figure 60-GPF-U
Flanged

Size Range:
2 through 10 inches

Pressure Temperature Rating
Carbon Steel
ASTM A216 Grade WCB
1480 psi @ -20°F to 100°F

Materials of Construction

Description	Material
Body	ASTM A216 WCB
Bonnet	ASTM A216 WCB
Seat Rings	ASTM A105 + AWS CoCr-A
Disc	ASTM A216 WCB + 13% Cr
Stem	ASTM A182 F6a
Packing	Graphite
Bonnet Gasket	Ring Type Joint
Back Seat	ASTM A276 410
Disc Nut	ASTM A276 410
Stem Nut	ASTM A493 D2
Disc Washer	ASTM A276 410
Gland	ASTM A276 410
Gland Flange	ASTM A216 WCB
Eye Bolt	ASTM A307 B
Eye Bolt Nuts	ASTM A194 2H
Pins	AISI C1045
Bonnet Studs	ASTM A193 B7
Bonnet Nuts	ASTM A194 2H
Handwheel	Ductile Iron
Handwheel Nut	AISI C1020
I.D. Tags	ASTM A276 304
I.D. Pins	ASTM A276 304
Spacer	ASTM A276 410

Industry Standards

Steel Valves	ASME B16.34
Face-to-Face/End-to-End	ASME B16.10
Flange Dimensions	ASME B16.5
Testing	API 598

Dimensions and Weights

Valve Size	Weight (pounds)	Dimensions (inches)		
		A	B (open)	C
2	88	11.5	17.5	9.8
2½	110	13.0	18.5	9.8
3	165	14.0	21.7	13.8
4	276	17.0	25.6	17.7
6	N/A	22.0	30.8	19.7
8	N/A	26.0	37.7	23.6
10	N/A	31.0	40.4	27.6

