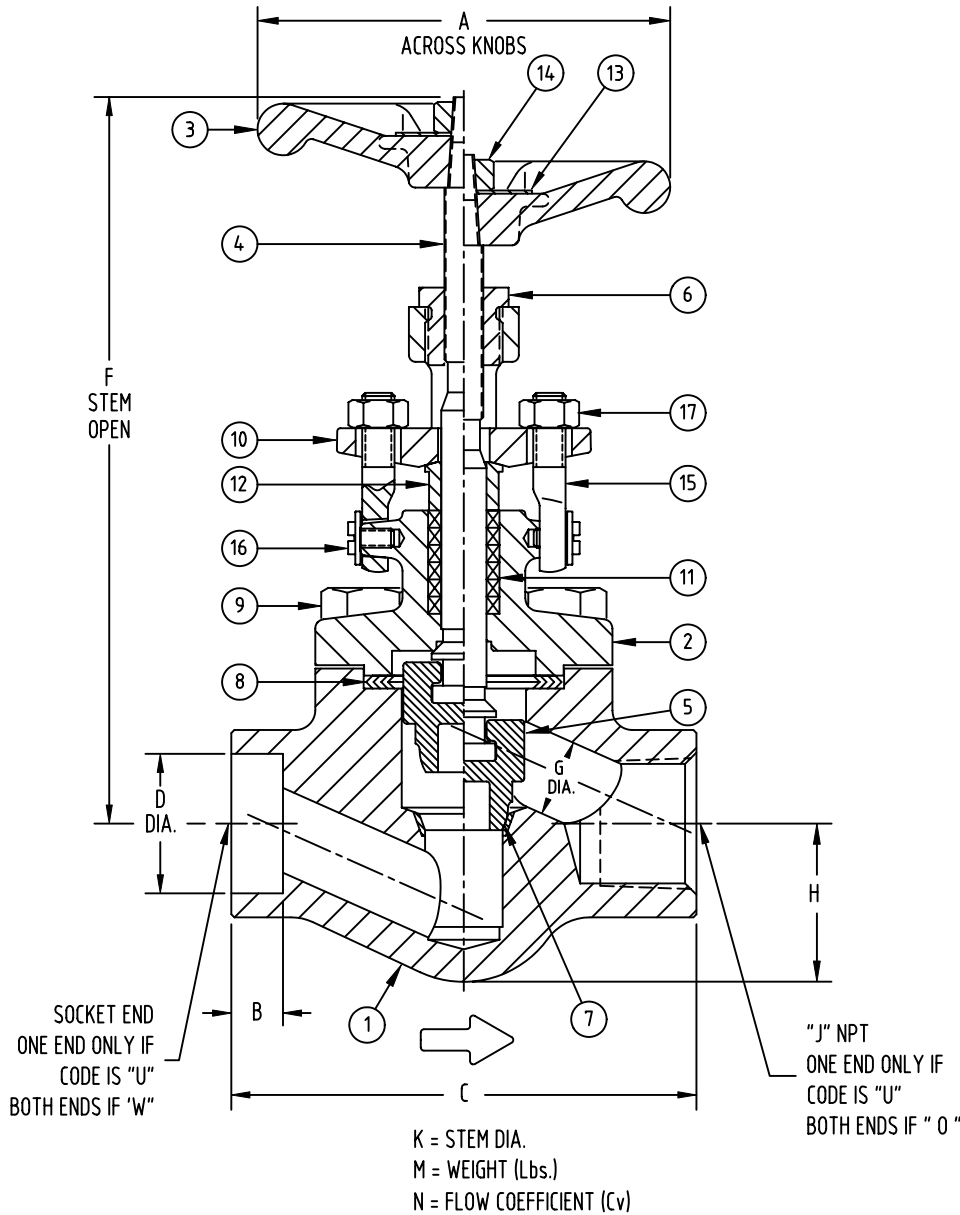


**NOTES**

1. VALVE COMPLIES WITH DESIGN AND TESTING FEATURES OF API 602
2. PRESSURE/TEMPERATURE RATING TO ASME B16.34



**LIST OF PARTS**

ITEM	DESCRIPTION	QTY.	MATERIAL	SPECIFICATION
1	BODY	1	FORGED CARBON STEEL, PHOSPHATED	ASTM A105
2	BONNET	1	FORGED CARBON STEEL, PHOSPHATED	ASTM A105
3	HANDWHEEL	1	MALLEABLE IRON PAINTED BLUE	ASTM A47
4	STEM	1	410 STAINLESS STEEL	ASTM A276
5	DISC	1	420 STAINLESS STEEL Rc 50 Min.	ASTM A743 Gr. CA-40
6	YOKE BUSHING	1	416 STAINLESS STEEL	ASTM A582
7	H.F. OVERLAY	1	STELLITE NO.6 Rc 40 Min.	UNS R30006
8	GASKET	1	AISI 304 WITH GRAPHITE FILLER	API 602
9	CAPSCREW	4	ALLOY STEEL	ASTM A193 Gr. B7
10	GLAND FLANGE	1	FORGED CARBON STEEL, PHOSPHATED	ASTM A105
11	PACKING RINGS	4	DIE FORMED GRAPHITE	API 602 (ASBESTOS FREE)
	PACKING END RINGS	2	BRAIDED GRAPHITE	
12	GLAND BUSHING	1	CARBON STEEL POWDERED METAL	ASTM B783 Gr F-0008-30
13	NAMEPLATE	1	ALUMINUM	COMMERCIAL (BLUE= 13 Cr Trim)
14	HANDWHEEL NUT	1	CARBON STEEL	COMMERCIAL
15	EYEBOLT	2	410 STAINLESS STEEL	AISI 410
16	EYEBOLT SCREW	2	PLATED CARBON STEEL	COMMERCIAL
17	EYEBOLT NUT	2	304 STAINLESS STEEL	AISI 304

**DIMENSIONAL DATA**

SIZE	1/4"	3/8"	1/2"	3/4"	1"	1 1/4"	1 1/2"	2"
A	4	4	4	4	4	4 5/8	4 5/8	6 5/8
B	3/8	3/8	3/8	1/2	1/2	1/2	1/2	5/8
C	3 1/4	3 1/4	3 1/4	3 1/2	4 1/2	6 1/4	6 1/4	7 1/4
D	.555	.690	.855	1.065	1.330	1.675	1.915	2.406
F	6 3/8	6 3/8	6 3/8	6 9/16	6 13/16	8 1/16	8 1/16	10 1/8
G	1/4	1/4	3/8	1/2	3/4	1	1 3/16	1 7/16
H	7/8	7/8	7/8	1 1/16	1 17/32	2 3/16	2 3/16	2 13/16
J	1/4-18	3/8-18	1/2-14	3/4-14	1-11 1/2	1 1/4-11 1/2	1 1/2-11 1/2	2-11 1/2
K	13/32	13/32	13/32	13/32	7/16	9/16	9/16	5/8
M	3.75	3.75	3.75	4.75	6.25	12.75	12.25	22.5
N	1.0	1.2	1.5	2.4	5.6	15.0	21.0	29.0



**FIGURE 0G80**  
A105 w/ Tr. 8 INTEGRAL SEAT  
O.S. & Y. CLASS 800 FORGED STEEL  
BOLTED BONNET GLOBE VALVE

SIZE A	DRAWING NO. 0G800000*	REV. 0
-----------	--------------------------	-----------