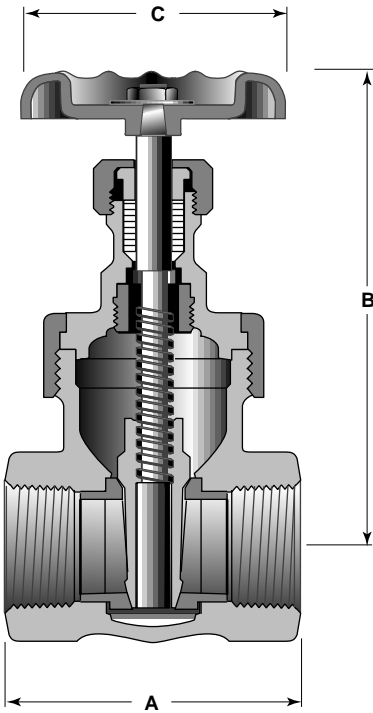


**Class 200 • Non-Rising Stem • Threaded Ends**



### Features

- Non-Rising Stem
- Solid Wedge Disc
- Threaded Ends
- Union Bonnet
- Full Ports
- Back Seat
- 410 Stainless Steel Seat Ring
- MSS-SP-80, Type I

For more detailed features, refer to page 18.

### Figure 426

**Size Range:**  
1/4" through 3"

### Working Pressures Non-Shock:

200 psi Steam, Basic Rating  
400 psi Cold Working Pressure

### Principal Parts & Materials

Part	Material	ASTM
Body & bonnet	Bronze	B61 alloy C92200
Disc	Bronze	B61 alloy C92200
Seat ring	410 Stainless Steel	A276 S41000
Stem	Bronze	B371 alloy C69400

### Dimensions and Weights

Inches (millimeters) - pounds (kilograms)

	1/4 (6)	3/8 (10)	1/2 (15)	3/4 (20)	1 (25)	1 1/4 (32)	1 1/2 (40)	2 (50)	2 1/2 (65)	3 (80)
A	2.03 (52)	2.13 (54)	2.47 (63)	2.60 (66)	3.05 (77)	3.38 (86)	3.68 (93)	3.96 (101)	4.60 (117)	5.68 (144)
B	3.60 (91)	3.51 (89)	3.86 (98)	4.51 (115)	5.05 (128)	5.88 (149)	6.65 (169)	7.76 (197)	8.47 (215)	9.89 (251)
C	2.05 (52)	2.13 (54)	2.47 (63)	2.63 (67)	2.96 (75)	3.25 (83)	3.68 (93)	4.59 (117)	5.25 (133)	6.97 (177)
WTS.	0.90 (0.41)	0.90 (0.41)	1.40 (0.64)	1.90 (0.86)	3.10 (1.41)	5.00 (2.27)	5.80 (2.63)	10.20 (4.63)	18.50 (8.39)	33.00 (14.97)