



Class 200 • Rising Stem • Threaded Ends

Figure 424

Size Range:

1/4" through 3"

Working Pressures Non-Shock:

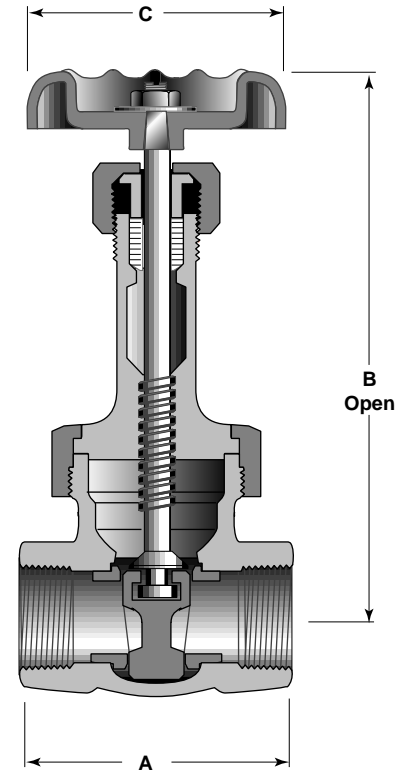
200 psi Steam, Basic Rating

400 psi Cold Working Pressure

Features

- Rising Stem
- Union Bonnet
- Bolted Bonnet (2 1/2" to 3")
- Threaded Ends
- Solid Wedge Disc
- Full Ports
- Back Seat
- 410 Stainless Steel Seat Rings
- MSS-SP-80, Type 2

For more detailed features, refer to page 18.



Principal Parts & Dimensions

Part	Material	ASTM
Body, bonnet & union ring	Bronze	B61 alloy C92200
Disc	Bronze	B61 alloy C92200
Seat ring	410 Stainless Steel	A276 S41000
Stem	Bronze	B371 alloy C69400

Dimensions and Weights

Inches (millimeters) - pounds (kilograms)

	1/4 (6)	3/8 (10)	1/2 (15)	3/4 (20)	1 (25)	1 1/4 (32)	1 1/2 (40)	2 (50)	2 1/2 (65)	3 (80)
A	2.03 (52)	2.11 (54)	2.44 (62)	2.61 (66)	3.04 (77)	3.34 (85)	3.67 (93)	3.96 (101)	4.60 (117)	5.67 (144)
B	4.81 (122)	4.85 (123)	5.37 (136)	6.71 (170)	7.77 (197)	9.06 (230)	10.32 (262)	12.50 (318)	14.58 (370)	16.33 (415)
C	2.10 (53)	2.10 (53)	2.48 (63)	2.65 (67)	2.97 (75)	3.25 (83)	3.66 (93)	4.61 (117)	5.25 (133)	6.97 (177)
WTS.	1.00 (0.45)	1.00 (0.45)	1.50 (0.68)	2.10 (0.95)	3.30 (1.50)	5.00 (2.27)	6.00 (2.72)	10.40 (4.72)	19.60 (8.89)	35.30 (16.01)