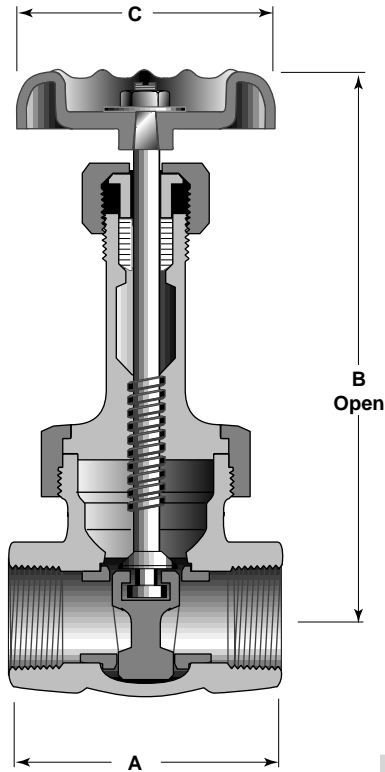


Class 200 • Rising Stem • Threaded Ends



Features

- Rising Stem
- Union Bonnet
- Solid Wedge Disc
- Threaded Ends
- Full Ports
- Back Seat
- MSS-SP-80, Type 2

For more detailed features, refer to page 18.

Figure 422

Size Range:

1/4" through 3"

Working Pressures Non-Shock:

200 psi Steam, Basic Rating

400 psi Cold Working Pressure

Principal Parts & Materials

Part	Sizes	Material	ASTM
Body & union bonnet	All	Bronze	B61 alloy C92200
Disc	All	Bronze	B61 alloy C92200
Stem	1/4" - 2"	Bronze	B505 alloy 83600
Stem	2 1/2" - 3	Bronze	B371 alloy 69400

Dimensions and Weights

Inches (millimeters) - pounds (kilograms)

	1/4 (6)	3/8 (10)	1/2 (15)	3/4 (20)	1 (25)	1 1/4 (32)	1 1/2 (40)	2 (50)	2 1/2 (65)	3 (80)
A	1.64 (42)	1.64 (42)	2.02 (51)	2.14 (54)	2.46 (62)	2.79 (71)	2.85 (72)	3.25 (83)	4.20 (107)	4.63 (118)
B	4.84 (123)	4.84 (123)	5.06 (129)	6.29 (160)	7.39 (188)	8.56 (217)	9.68 (246)	11.89 (302)	14.80 (376)	16.86 (428)
C	2.06 (52)	2.06 (52)	2.57 (65)	2.57 (65)	2.76 (70)	3.64 (92)	3.64 (92)	4.00 (102)	5.24 (133)	5.50 (140)
WTS.	0.9 (0.41)	0.9 (0.39)	0.9 (0.41)	1.50 (0.68)	2.40 (1.07)	3.60 (1.63)	4.90 (2.22)	7.50 (3.40)	14.00 (6.31)	21.20 (9.60)