

Class 300 • Outside Screw & Yoke • Flexible Wedge Disc

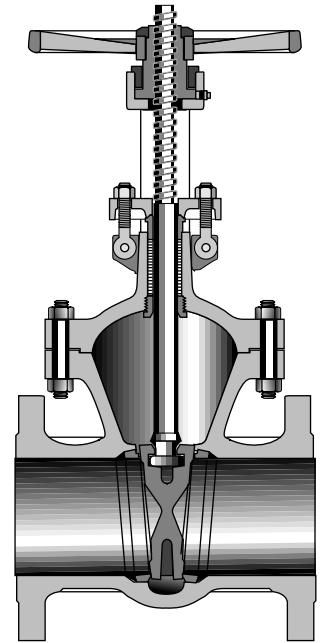
Material of Construction

Description	Material
Body	WCB
Bonnet	WCB
Seat Rings	Hardfaced
Disc	CA-15 or 13% CR Overlay
Stem	410 SS
Packing	Graphite
Bonnet Gasket	Spiral Wound
Back Seat	410 SS
Yoke Sleeve	D2 Ni-Resist
Retaining Nut	Malleable or Steel
Gland	Steel
Gland Flange	Steel
Eye Bolt	Steel
Eye Bolt Nuts	Steel
Pins	Steel
Bonnet Studs	A193 Gr. B7
Bonnet Nuts	A194 Gr. 2H
Handwheel	Malleable, Ductile, or Steel
Handwheel Nut	Ductile or Steel
I.D. Tags	SS
I.D. Pins	Steel
Spacer	Steel
Grease Fittings	Steel

Figure 33
Flanged
Figure 33^{1/2}
Butt Weld

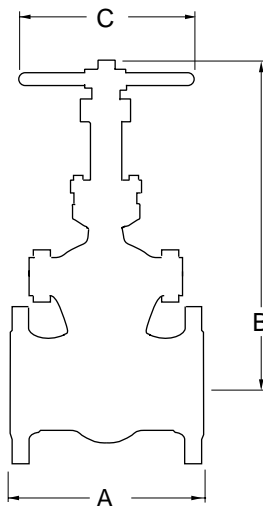
Size Range:
2 through 24 inches

Pressure Temperature Rating
Carbon Steel
ASTM A216 Grade WCB
740 psi @ -20°F to 100°F



Industry Standards

Steel Valves	ANSI B16.34
Face-to-Face/End-to-End	ANSI B16.10
Flange Dimensions	ANSI B16.5
Weld End	ANSI B16.25
Basic Design	API 600
Testing	API 598
Acceptance	API RP591



Dimensions and Weights

Valve Size	Weight (pounds)		Dimensions (inches)		
			A	B	C
	33	33 ^{1/2}	33 & 33 ^{1/2}	Valve Open	
2	74	49	8.50	17.50	8.00
2 ^{1/2}	80	74	9.50	17.50	8.00
3	108	85	11.12	20.25	9.00
4	165	120	12.00	24.00	10.00
5	235	185	15.00	28.38	12.00
6	320	245	15.88	32.75	14.00
8	500	410	16.50	41.25	16.00
10	760	625	18.00	49.50	18.00
12	1020	890	19.75	57.50	20.00
14	1380	1220	30.00	61.25	20.00
16	1960	1620	33.00	71.50	24.00
18	2450	2000	36.00	78.50	23.62
20	3890	3370	39.00	86.50	28.35
24	6292	4675	45.00	104.00	35.43