

LIST OF PARTS

ITEM	DESCRIPTION	QTY.	MATERIAL	SPECIFICATION
1	BODY	1	FORGED CARBON STEEL, PHOSPHATED	ASTM A105
2	BONNET	1	FORGED CARBON STEEL, PHOSPHATED	ASTM A105
3	HANDWHEEL	1	MALLEABLE IRON PAINTED BLUE	ASTM A47
4	STEM	1	410 STAINLESS STEEL	ASTM A276
5	WEDGE	1	420 STAINLESS STEEL	ASTM A743 GRADE CA-40
6	YOKE NUT	1	416 STAINLESS STEEL	ASTM A582
7	SEAT RING	2	410 STAINLESS WITH STELLITE FACE +	ASTM A276
8	GASKET	1	AISI 304 WITH GRAPHITE FILLER	API 602
9	CAPSCREW	4	ALLOY STEEL	ASTM A193 GRADE B7
10	GLAND FLANGE	1	FORGED CARBON STEEL, PHOSPHATED	ASTM A105
11	PACKING RINGS	4	DIE FORMED GRAPHITE	API 602 (ASBESTOS FREE)
	PACKING END RINGS	2	BRAIDED GRAPHITE	
12	GLAND BUSHING	1	CARBON STEEL POWDERED METAL	ASTM B783 Gr F-0008-30
13	NAMEPLATE	1	ALUMINUM	COMMERCIAL (BLUE = 13Cr Trim)
14	LOCKWASHER	1	SPRING STEEL	COMMERCIAL
15	HANDWHEEL NUT	1	CARBON STEEL	COMMERCIAL
16	THRUST WASHER	1	STAINLESS STEEL	AISI 410
17	EYEBOLT	2	410 STAINLESS STEEL	AISI 410
18	EYEBOLT SCREW	2	PLATED CARBON STEEL	COMMERCIAL
19	EYEBOLT NUT	2	304 STAINLESS STEEL	AISI 304

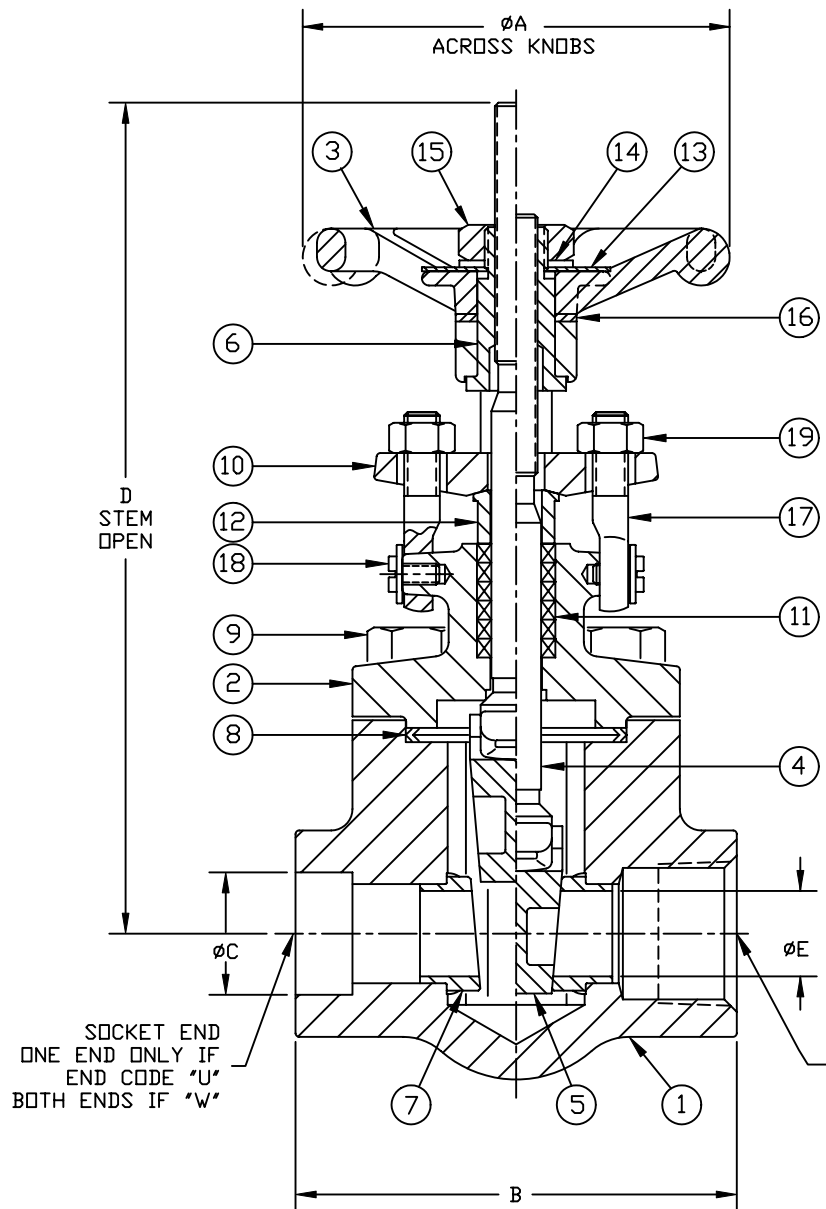
+ 1/4" SEAT RINGS ARE NOT HARDFACED

D I M E N S I O N A L D A T A

SIZE	1/4"	3/8"	1/2"	3/4"	1"	1 1/4"	1 1/2"	2"
A	4	4	4	4	4	5 1/2	5 1/2	5 1/2
B	3 1/4	3 1/4	3 1/4	3 1/2	3 7/8	4 3/4	4 3/4	5 1/2
C	.555	.690	.855	1.065	1.330	1.675	1.915	2.406
D	6 5/16	6 5/16	6 5/16	6 1/2	7 1/4	9 1/8	9 1/8	11 1/16
E	5/16	25/64	25/64	1/2	3/4	1 3/16	1 3/16	1 1/2
F	3 3/4	3 3/4	3 3/4	4 1/2	6 1/4	9 1/2	12	20 1/2

NOTES


1. VALVE COMPLIES WITH API 602
2. DESIGN AND PRESSURE/TEMPERATURE RATING TO ASME/ANSI B16.34



F = WEIGHT (Lbs.)

SOCKET END
ONE END ONLY IF
END CODE "U"
BOTH ENDS IF "W"

NPT
ONE END ONLY IF
END CODE "U"
BOTH ENDS IF "□"

TITLE		FIGURE 0800	
		D.S. & Y. CLASS 800 FORGED STEEL BOLTED BONNET, GATE VALVE	
SIZE	DRAWING NO.	REV.	
A	0800 □□□□*	0	